

RJ45 INSTALLATION HOUSING SET

Solder termination (PCB)

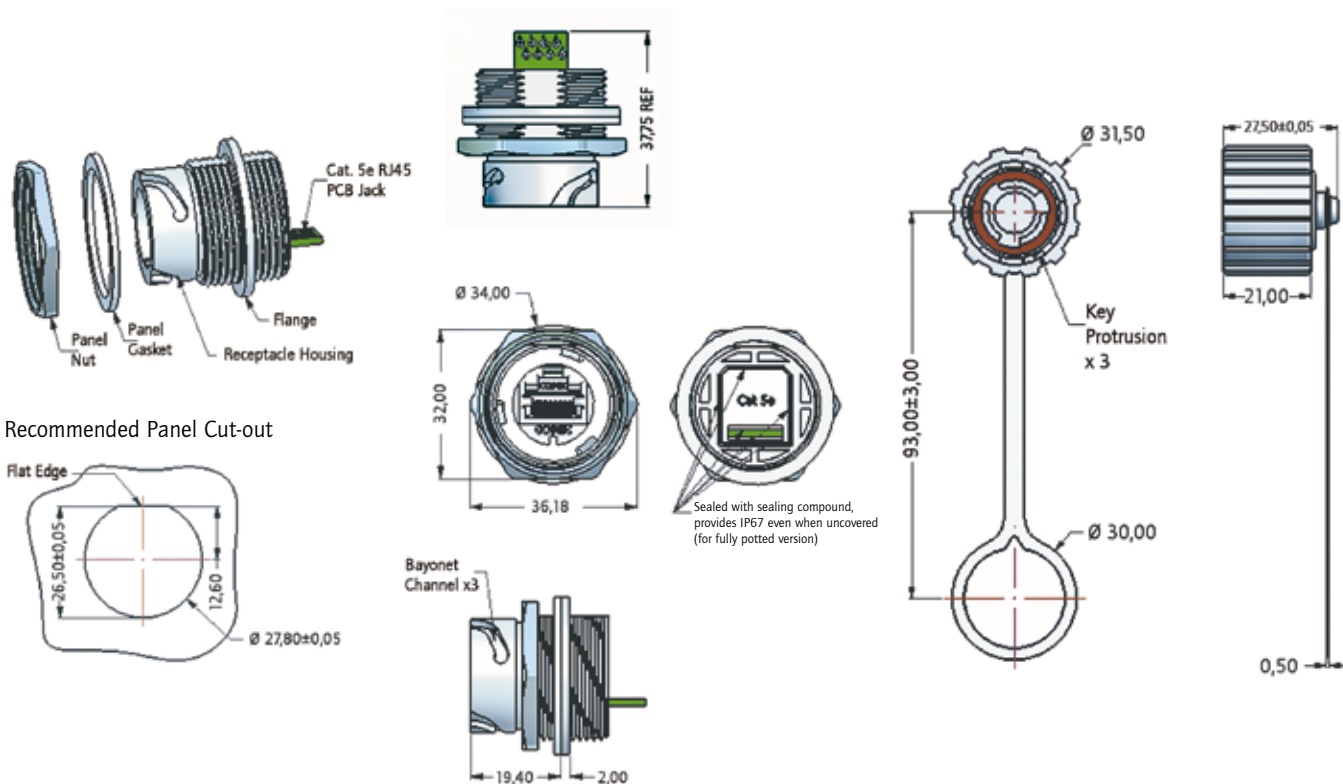


RoHS compliant

DESCRIPTION

- For front or rear panel mounting up to wall thickness of .013"/3.2 mm
- Design: Black plastic or metallized plastic
- Solder termination to shielded RJ45 Inline socket connector Cat. 5e
- Available as a set with protection cap

PRODUCT DRAWING



ORDER DATA

Type	Material	RJ45 Cat.5e design	Sealing	Protection cap	Part Number
Housing	Black plastic	Socket Solder termination /Shielded			17-10017
Housing	Metallized plastic	Socket Solder termination /Shielded			17-10018
Housing	Black plastic	Socket Solder termination /Shielded	Sealing compound		17-10035
Housing	Metallized plastic	Socket Solder termination /Shielded	Sealing compound		17-10036
Housing	Black plastic	Socket Solder termination /Shielded		With protection cap	17-10023
Housing	Metallized plastic	Socket Solder termination /Shielded		With protection cap	17-10024
Housing	Black plastic	Socket Solder termination /Shielded	Sealing compound	With protection cap	17-10039
Housing	Metallized plastic	Socket Solder termination /Shielded	Sealing compound	With protection cap	17-10040