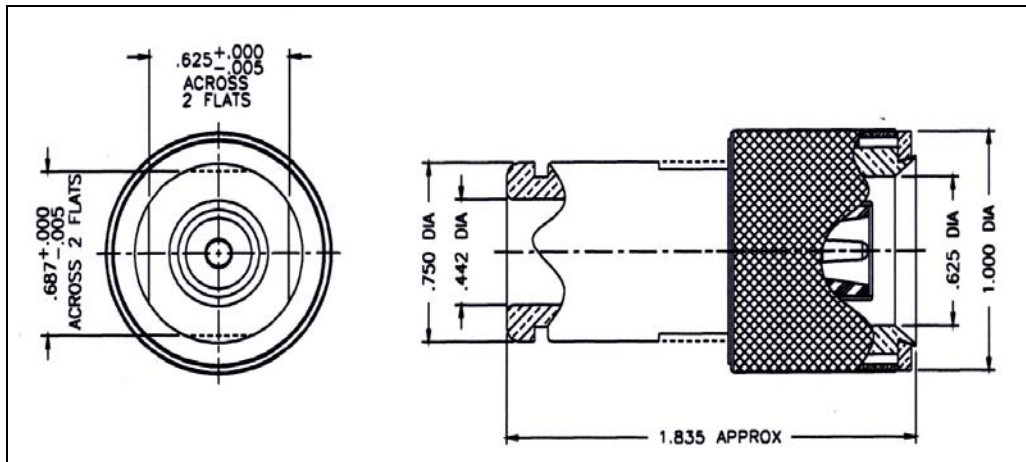


LTR	DESCRIPTION	DATE	BY
-	Released	9/23/97	JCL



I. MATERIALS & FINISHES

- center contact: Gold Plated Brass
- outer contact: Tri-Metal Plated Beryllium Copper
- body: Tri-Metal Plated Brass
- dielectric: Teflon® PTFE
- gasket: Silicone Rubber
- shrink sleeve: Adhesive Lined Polyolefin
- attachment: braid clamp

II. ELECTRICAL PROPERTIES

- impedance: 50 ohms
- working voltage: 1000 vrms (max)
- vswr: 1.25:1 (max) up to 2.5 GHz
- insertion loss: $0.10 \times \sqrt{F}$ ghz

Unless otherwise specified, dimensions are in inches. Tolerances are applicable when specified.

These drawings and specifications contain proprietary information which is the property of Times Microwave Systems.

Approvals		
Drawn	JCL	9/23/97

TIMES MICROWAVE SYSTEMS
 Wallingford, CT 06492
 (203) 949-8400; (203) 949-8423.Fax
 www.timesmicrowave.com

TC-600-QDSM
 Type-QDS male plug
 for LMR-600 Cable

Size A	CAGE CODE 68999	Drawing No.: 3190-620
Scale: NA	Rev. (-)	Sheet: 1 of 1