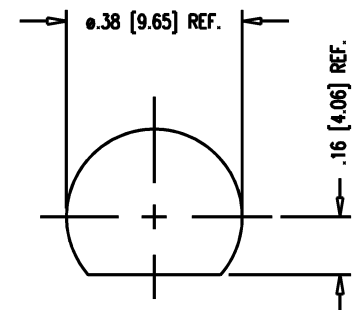
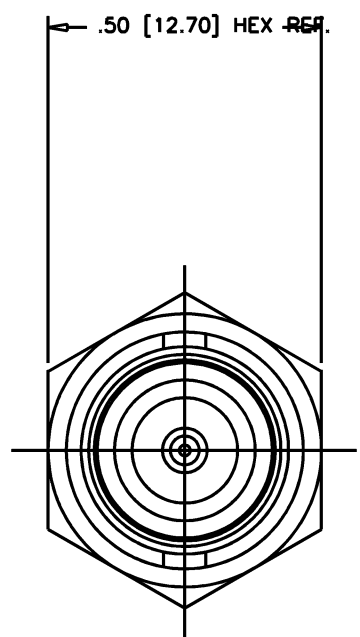
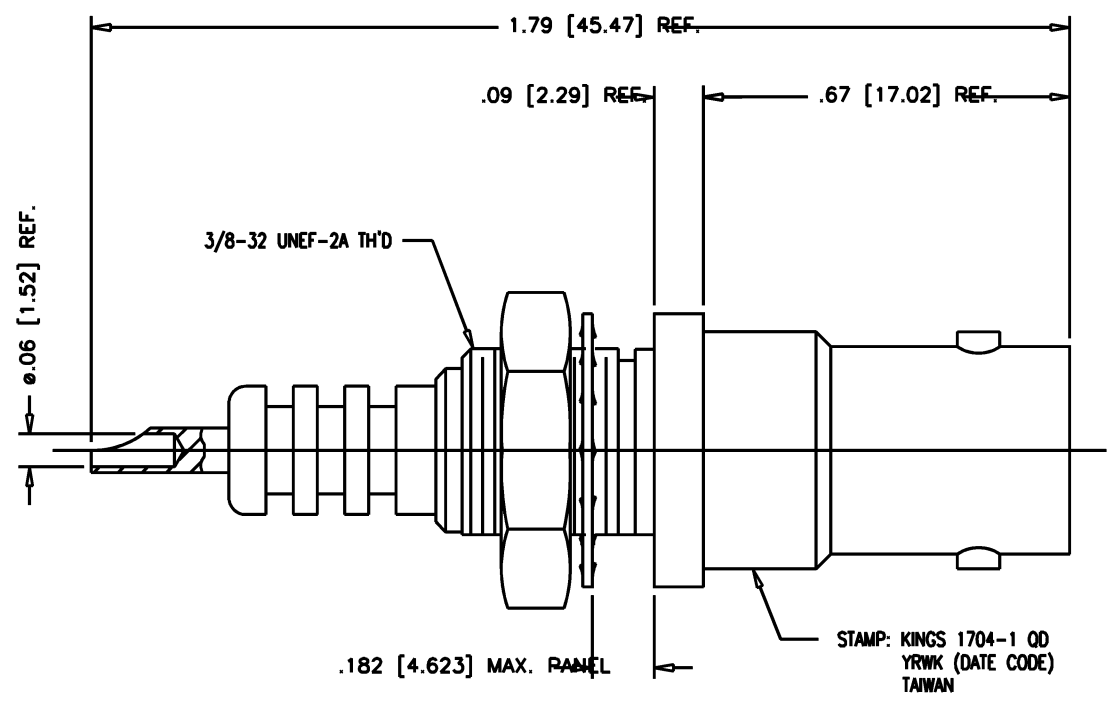


DASH NO.	M CODE	MADE FROM
----------	--------	-----------

GSD



MOUNTING HOLE

GSD

1704-1 QD

REVISIONS

ISSUE	CHANGES
6	CN 39718 C HVN 11/29/06

1704-1 QD S

- NOTES:
- INTERFACE PER MIL-STD-348, FIG. 314-1.
 - MATERIALS:
INSULATOR: TEFLON, ASTM-D-4894
LOCKWASHER: PHOSPHOR BRONZE, ASTM-B-103
ALL OTHER METAL PARTS: BRASS, ASTM-B16
 - FINISHES:
CENTER CONTACT: GOLD PLATE PER ASTM-B488
ALL OTHER METAL PARTS: KINGS TARNISH RESISTANT FINISH (TR-5)
 - ELECTRICAL CHARACTERISTICS:
NOMINAL IMPEDANCE: NON-CONSTANT
VOLTAGE RATING: 3500 VRMS
5000 VDC
 - DIMENSIONS ARE IN INCHES [MM].

SCALE 4:1

APPROX SURFACE AREA

USED ON

REF:

RECEPTACLE, BULKHEAD, SHV, F

DRAWN	H. NGUYEN	DATE	11/29/06
-------	-----------	------	----------

DESIGN	LI	DATE	11/10/92
--------	----	------	----------

APPR.		DATE	
-------	--	------	--

KINGS
ELECTRONICS CO., INC.
ROCK HILL, SOUTH CAROLINA 29730

1704-1 QD