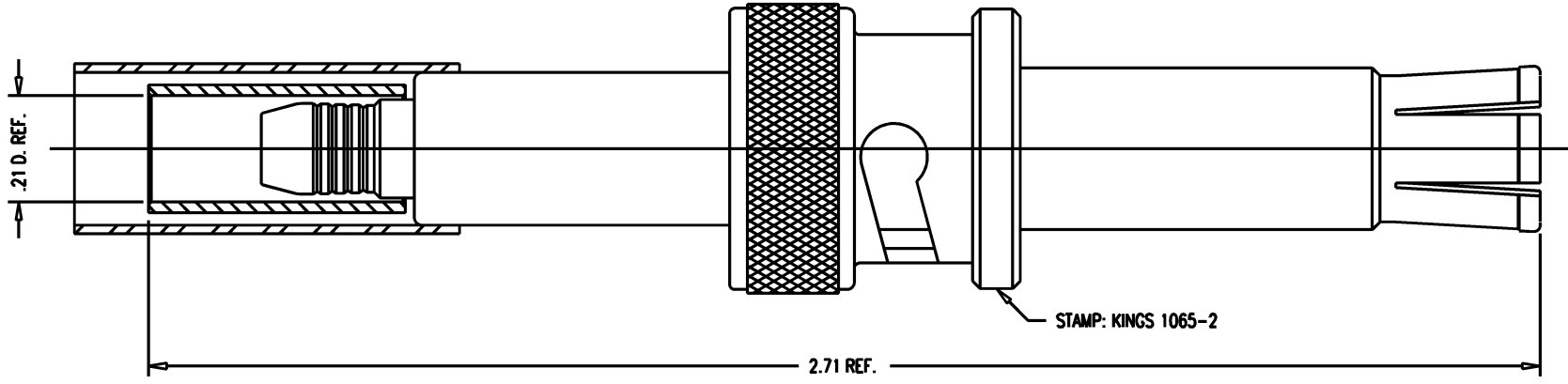


# GSD

1065-2



- NOTES:**
- FOR USE WITH LASL TYPE C 9Y19503 CABLE.
  - FOR CABLING INSTRUCTIONS SEE CP-419.
  - MATERIALS:**
    - HEAT SHRINK TUBE: POLYOLEFIN, MIL-I-23053/5
    - O-RING: SYNTHETIC RUBBER, MIL-P-25732
    - GASKET: SILICONE RUBBER, ZZ-R-765
    - INSULATOR: H.D.POLYETHELENE, MIL-P-22748
    - K-GRIP SLEEVE: COM'L BRONZE, ASTM-B-140
    - SPRING WASHER } BER. COPPER, ASTM-B-194
    - CENTER CONTACT }
    - BODY }
    - ALL OTHER METAL PARTS: BRASS, ASTM-B16
  - FINISHES:**
    - CENTER CONTACT: GOLD PLATE PER MIL-G-45204
    - SPRING WASHER: SILVER PLATE PER QQ-S-365
    - ALL OTHER METAL PARTS: KINGS TARNISH RESISTANT NICKEL FINISH (TR-5)
  - ELECTRICAL CHARACTERISTICS:**
    - NOMINAL IMPEDANCE: NON-CONSTANT
    - OPERATING VOLTAGE: 10KV DC

REVISIONS	
ISSUE	CHANGES
8	CN 36757 C REDRAWN ME 01/04/96

QGS1138

SCALE : 4:1
APPROX SURFACE AREA
USED ON
REF:
PL, 10KV, F
DRAWN ME 01/04/96
DESIGN MJB 01/04/96
APPR. DATE

**KINGS**  
ELECTRONICS CO., INC.  
TUCKAHOE, NEW YORK 10707

1065-2

# GSD