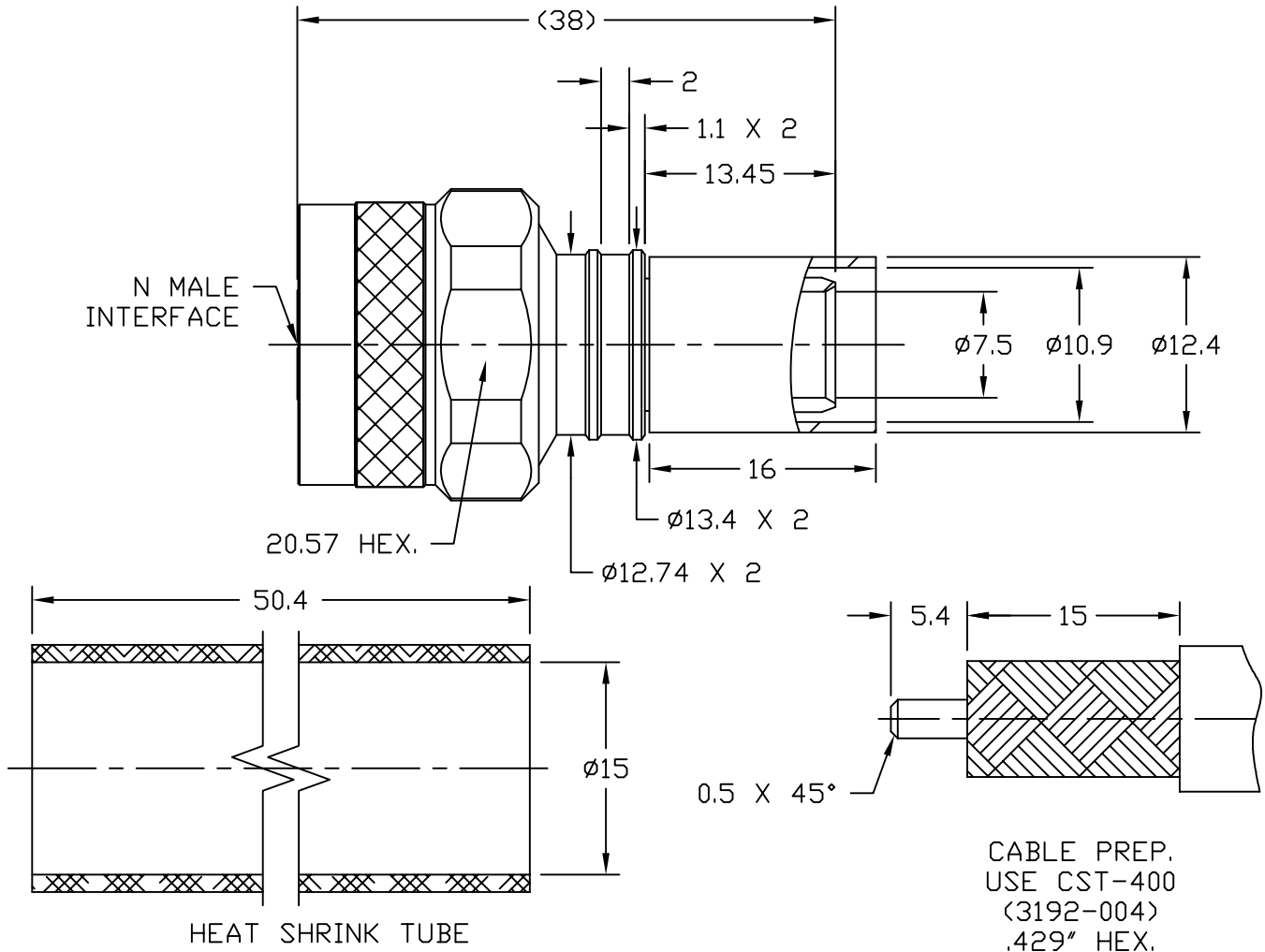


NOTICE OF PROPRIETARY RIGHTS THIS DOCUMENT CONTAINS CONFIDENTIAL TECHNICAL DATA, INCLUDING TRADE SECRETS, PROPRIETARY TO TIMES MICROWAVE SYSTEMS. DISCLOSURE OF THIS DATA IS EXPRESSLY CONDITIONED UPON YOUR ASSENT THAT ITS USE IS LIMITED TO USE WITHIN YOUR COMPANY ONLY. ANY OTHER USE IS STRICTLY PROHIBITED WITHOUT THE PRIOR WRITTEN CONSENT OF TIMES MICROWAVE SYSTEMS.

SYM	REVISION DESCRIPTION	DFTM	DATE	APPD	DATE
A	RELEASED FOR PRODUCTION	D. J. H.	6/13/11	J. D. B.	6/27/11
B	CHANGED PER CDC #33920	D. J. H.	8/12/11	J. D. B.	8/15/11



Reference standard	IEC60169-16	III. Material and plating:	
I. Electric Performance		Component	Material
Impedance(Ω):	50	inner conductor	Brass
Frequency Range:	DC-6GHz	outer conductor	Brass
VSWR:	≤1.25	tube	Copper
Insert Loss: (dB)	≤ 0.05	nut	Brass
Insulation resistance (MΩ)	>5000	gasket	Silicone rubber
Work voltage (V)	1500	insulator	PTFE
Conductor resistance (mΩ)	outer conductor <0.2 inner conductor <0.8	IV. Environment	
II. Mechanical Performance		Temp.range	-55°C~+155°C
Nut torque	25N.m	Weather standard	IEC 60068 55 / 155/ 56
(Nut) Whorl pull	1000N	Thermal shock	US MIL-STD 202,Meth.107,Cond.B
Tensile force(cable-connect)	400N	Vibration	US MIL-STD 202,Meth.204,Cond.B
Torsion(cable-connect)	2N.m	Shock	US MIL-STD 202,Meth.213,Cond.I
		Waterproofing standard IP67	

V. Assembly: inner conductor installed and outer conductor crimped

MATERIAL:	UNLESS OTHERWISE SPECIFIED	DFTM. D. J. H.	TIMES MICROWAVE SYSTEMS				
		DATE 6/13/11					
USED ON: 0	ALL DIMENSIONS ARE IN mm MACHINED SURFACES FINISH N/A RMS MAX. REMOVE ALL BURRS N/A MAX. BREAK MACHINE CORNERS N/A MAX. FILLET R. TOLERANCES ON DECIMALS . XX ± N/A . XXX ± N/A ANGLES ± 1° FRACTIONS ± N/A	CHKD. J. D. B.	EZ-400-NMH-X "N" MALE FOR LMR-400 CABLE EZ/CRIMP/NO BRAID TRIM				
		DATE 6/27/11					
		APPD. J. D. B.					
SCALE: N/A	DWG. SIZE A	DO NOT SCALE DRAWING	CODE IDENT 68999	DATE 6/27/11	SHEET 1 of 1	SD3190-2590	REV B

Installation Tools

	Part Number	Stock Code	Description	Qty
Crimp Tools				
 <p>HX-4</p>	HX-4	3190-200	Crimp Tool (handle only)	each
	Y197	3190-610	.213" hex dies for TC/EZ-195/200 crimp connectors	each
	Y375	3190-608	.255" hex dies for TC/EZ-240 crimp connectors	each
 <p>Y1719</p>	Y102	3190-611	.324" hex dies for TC/EZ-300 crimp connectors	each
	Y1719	3190-202	.429" hex dies for TC/EZ-400 crimp connectors	each
	Y151	3190-465	.532" hex dies for TC/EZ-500 crimp connectors	each
 <p>CT-400/300</p>	Y1720	3190-203	.610" hex dies for TC/EZ-600 crimp connectors	each
	CT-400/300	3190-666	Crimp tool for LMR-400 & LMR-300 connectors	each
	CT-240/200/100	3190-667	Crimp tool for LMR-240, LMR-200, LMR195 & LMR-100 connectors	each
Strip Tools				
 <p>CST-400</p>	CST-400	3192-004	Combination prep tool for LMR-400 crimp and clamp style connectors	each
	ST-240EZ	3190-1880	Prep tool for LMR-240 EZ Connectors	each
 <p>ST-240EZ</p>	ST-400C-2	3190-1972	Prep tool for EZ-400-NMC-2 & EZ-400-NFC-2 two piece clamp style connectors	each
	ST-500C	3190-229	Prep tool for LMR-500 clamp style connectors	each
 <p>ST-400C-2</p>	ST-600C	3190-230	Prep tool for LMR-600 clamp style connectors	each
	ST-600EZ	3190-310	Prep tool for LMR-600 crimp style connectors	each
 <p>ST-600C</p>	ST-900/1200C	3190-311	Prep tool for LMR-900 & 1200 clamp style connectors	each
	ST-900C	3190-1310	Prep tool for LMR-900 clamp style connectors	each
 <p>ST-900/1200C</p>	ST-1200C	3190-1311	Prep tool for LMR-1200 clamp style connectors	each
	ST-1700C	3190-312	Prep tool for LMR-1700 clamp style connectors	each
 <p>ST-1700C</p>	RB-456	3190-421	Replacement blades for ST-400, 500 & 600 (pkg of 2; 1 each end-1 & end-2)	each

WSB™ Weather Seal Strain Relief Boots

For LMR-240, LMR-400 & LMR-600

ISO 9001 Certified

- *Combination strain relief and weather seal boot*
- *Eliminates the need for a heat gun to shrink the standard heat shrink sleeve*
- *Fits the most popular LMR®-240, 400 & 600 EZ connectors*
- *IP-67 rated*
- *Convenient 10 pack*



The WSB™ weather seal strain relief boots work with the most popular EZ crimp connectors for LMR-240, 400 and 600.

The soft silicone boot weatherproofing kits replace older weatherproofing methods, require no heat and only simple and easy hand assembly for valuable time saving in the field.

The WSB™ weather seal strain relief boots are IP67 rated and both RoHS and REACH Compliant.

Supplied in a convenient 10 pack, the WSB™ kits contain four pouches of silicone lubricant to facilitate installation of the boots.

WSB™ Weather Seal Strain Relief Boots

Construction:

Material: Silicone rubber
 Color: Black
 Lubricant: Silicone grease

Ordering information:

Part Number - Stock Code
 WSB-240 3109-400
 WSB-400 3109-394
 WSB-600 3109-401

Mechanical/Environmental Specifications					
		Test Method	Value		
Hardness		DIN 53505	Shore A		
Density at 20°C		DIN 51757	1.19 g/cm ³		
Elongation at Break		DIN 53504 S1	300%		
Rebound Resilience		DIN 53512	50%		
Tear Strength		ASTM D624-B	18 N/mm		
Compression Set		DIN ISO 815-B	12%		
Operating Temperature			-40°C to 85°C		
Connector Compatibility					
WSB-240		WSB-400		WSB-600	
Part #	Description	Part #	Description	Part #	Description
3190-2726	EZ-240-TM-RA-X	3190-2524	EZ-400-716M-X	3190-2642	TC-600-716M-X
3190-2868	EZ-240-BM-RA-X	3190-2597	TC-400-716M-X	3190-2546	EZ-600-716M-RA-X
3190-2893	EZ-240-NMH-X	3190-2545	EZ-400-716M-RA-X	3190-2816	TC-600-NF-X
3190-2894	EZ-240-QM-X	3190-2590	EZ-400-NMH-X	3190-2817	EZ-600-NF-X
3190-2897	EZ-240-SM-X	3190-2626	TC-400-NMH-X	3190-2627	EZ-600-NMH-X
3190-6143	EZ-240-NMH-RA-X	3190-2293	TC-400-NMH-RA-D	3190-2628	TC-600-NMH-X
3190-6204	EZ-240-TF-X	3190-3049	EZ-400-TF-X	3190-6123	EZ-600-QNM-X
3190-2896	TC-240-SF-BH-SS-X	3190-3051	TC-400-TF-X	3190-6136	TC-600-SCM-X
3190-2898	TC-240-SM-SS-X	3190-2533	EZ-400-TM-X	3190-3050	EZ-600-TF-X
		3190-2532	TC-400-TM-X	3190-3052	TC-600-TF-X
		3190-2800	EZ-400-TM-RA-X	3190-2531	EZ-600-TM-X
		3190-2818	EZ-400-NF-X	3190-2530	TC-600-TM-X
		3190-2815	TC-400-NF-X		
		3190-2803	EZ-400-NF-PM-X		
		3190-2805	TC-400-NF-PM-X		
		3190-2852	EZ-400-BM-X		
		3190-2847	EZ-400-BM-RA-X		
		3190-2961	EZ-400-NMH-PL-X		
		3190-2962	TC-400-NMH-PL-X		
		3190-2969	EZ-400-4195M-X		
		3190-2968	EZ-400-4195F-X		
		3190-2979	EZ-400-QNM-X		
		3190-2980	EZ-400-QNF-X		
		3190-2981	EZ-400-QNM-RA-X		
		3190-6011	EZ-400-QNF-BH-X		



World Headquarters: 358 Hall Avenue, Wallingford, CT 06492 • Tel: 203-949-8400, 1-800-867-2629 Fax: 203-949-8423

International Sales: +1 203-949-8503 • +1 800-867-2629

China Sales: TMC Building 4, No. 318 Yuanshan Road, Xinzhuang Industrial Park, Shanghai, China 201108 Tel: 86-21-5176-1209 Fax: 86-21-64424098
www.timesmicrowave.com

© 2016, Times Microwave Systems, Wallingford, CT 06492

WSB-03/16