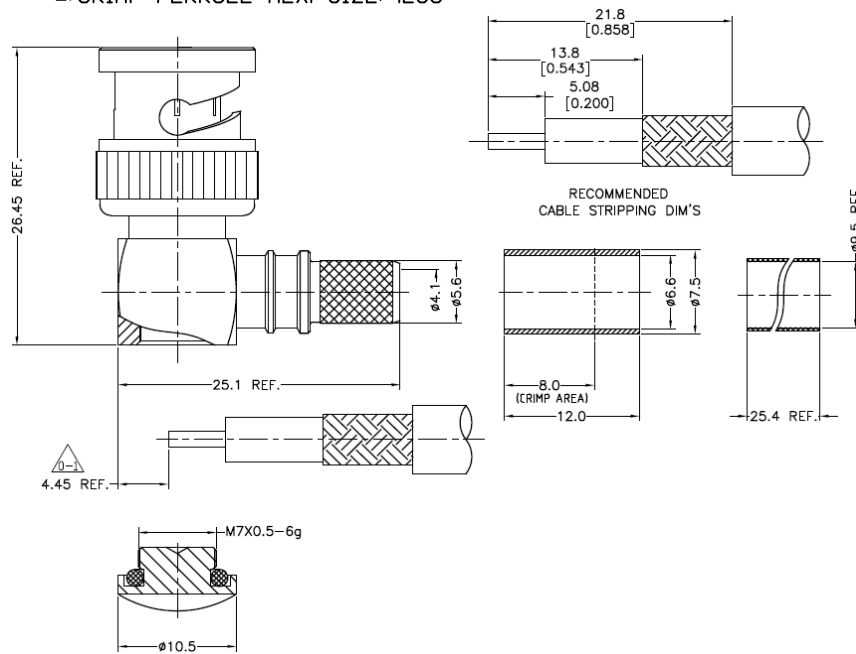


NOTICE OF PROPRIETARY RIGHTS THIS DOCUMENT CONTAINS CONFIDENTIAL TECHNICAL DATA, INCLUDING TRADE SECRETS, PROPRIETARY TO TIMES MICROWAVE SYSTEMS. DISCLOSURE OF THIS DATA IS EXPRESSLY CONDITIONED UPON YOUR ASSENT THAT ITS USE IS LIMITED TO USE WITHIN YOUR COMPANY ONLY. ANY OTHER USE IS STRICTLY PROHIBITED WITHOUT THE PRIOR WRITTEN CONSENT OF TIMES MICROWAVE SYSTEMS.

| SYM | REVISION DESCRIPTION | DFTM | DATE | APPD | DATE |
|-----|-------------------------|---------|----------|----------|----------|
| A | RELEASED FOR PRODUCTION | N. N. N | 6/13/13 | J. D. B. | 6/26/13 |
| B | CHANGED PER CDC #38712 | N. N. N | 10/23/13 | J. D. B. | 10/24/14 |
| C | CHANGED PER CDC #39366 | N. N. N | 2/26/14 | J. D. B. | 2/27/14 |
| D | CHANGED PER CDC #39406 | N. N. N | 3/4/14 | J. D. B. | 3/12/14 |

REMARKS:

- CONTACT PIN IS SOLDERED.
- CRIMP FERRULE HEX. SIZE: .256"



| MATERIALS AND PLATING | | UNIT: MICRO-INCHES |
|-----------------------|--------------------|---------------------------|
| BODY | BRASS C3604 | ALBALOY 80u"/COPPER |
| CONTACT PIN | BRASS C3604 | GOLD 50 MIN/NICKEL/COPPER |
| INSULATOR | TEFLON MIL-P-19468 | N/A |
| FERRULE | BRASS | ALBALOY 80u"/COPPER |

| ELECTRICAL CHARACTERISTICS | |
|---------------------------------|---|
| Impedance | 50 Ω |
| Voltage rating | 500V(rms) |
| Frequency range | 0~6GHz |
| Dielectric withstanding voltage | 1000V |
| Contact resistance | Center contact ≤2.0mΩ Outer contact ≤0.2mΩ |
| Insulation resistance | >5000MΩ |
| Insertion loss | According to the cable |
| RF- leakage | N/A |
| VSWR | 1.35 MAX.@0-6GHz |
| 3rd Intermodulation | N/A |

| MECHANICAL CHARACTERISTICS | |
|--------------------------------|--------------|
| Force to engage and disengage | N/A |
| Center contact retention force | 6 Lbs |
| Coupling recommend torque | N/A |
| Coupling nut retention force | 100 lbs |
| Durability | ≥ 500 cycles |

| ENVIRONMENTAL CHARACTERISTICS | |
|-------------------------------|-------------------------------|
| Temperature range | -65°C- +165°C |
| Vibration | MIL-STD-202,Method 204,Cond B |
| Shock | MIL-STD-202,Method 213,Cond I |
| Corrosion | MIL-STD-202,Method 101,Cond B |

MATL:
SEE ABOVE

USED ON:

SCALE: ~

UNLESS OTHERWISE SPECIFIED

ALL DIMENSIONS ARE IN mm

UNLESS OTHERWISE SPECIFIED:

- EDGES C0.15 MAX.
- REMOVE ALL BURRS.
- SURFACE ROUGHNESS Ra1.6j
- UNITS mm
- DIMENSIONS TOLERANCES DECIMALS ANGLES
- .x ±0.3 ±20°
- .xx ±0.2

DO NOT SCALE DRAWING

DWG. SIZE A

DFTM. N. N. N

DATE 6/13/13

CHKD. J. D. B.

DATE 6/26/13

APPD. J. D. B.

DATE 6/26/13

TIMES MICROWAVE SYSTEMS

TC-240-BM-RA-D

90° BNCM for LMR-240

1 of 1

SD3190-2869

R E V D