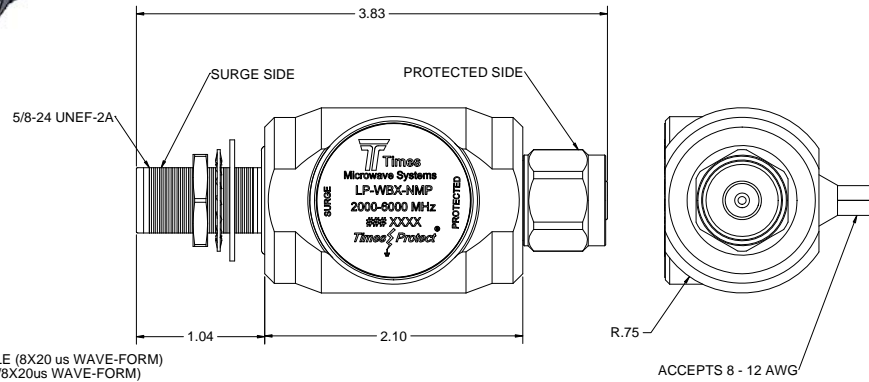
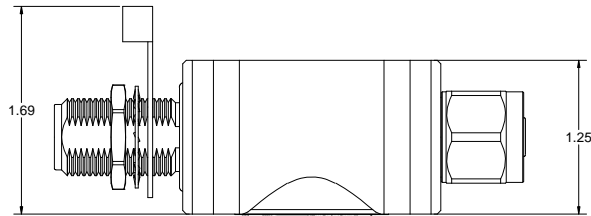
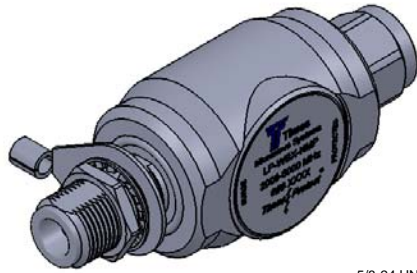


THIS DOCUMENT CONTAINS CONFIDENTIAL TECHNICAL DATA. IT IS THE PROPERTY OF TIMES MICROWAVE SYSTEMS. NO PART OF THIS DOCUMENT IS TO BE REPRODUCED OR TRANSMITTED IN ANY FORM OR BY ANY MEANS, ELECTRONIC OR MECHANICAL, INCLUDING PHOTOCOPYING, RECORDING, OR BY ANY INFORMATION STORAGE AND RETRIEVAL SYSTEM, WITHOUT THE WRITTEN PERMISSION OF TIMES MICROWAVE SYSTEMS.

REV.	REVISION DESCRIPTION	QTRM	DATE	APPD.	DATE
A	RELEASED FOR PRODUCTION	M.E.	03/24/14	M.E.	03/24/14



NOTES:

1. ELECTRICAL PERFORMANCE

IMPEDANCE: 50 OHMS
 OPERATING FREQUENCY: 2000-6000 MHz
 VSWR/RETURN LOSS: < 1.2:1 / < -20 dB
 INSERTION LOSS: < 0.2 dB
 AVERAGE POWER: 50 W
 MAX SURGE CURRENT: 20 kA MAX / 10 kA MULTIPLE (8X20 us WAVE-FORM)
 RESIDUAL PULSE VOLTAGE: < 3 V (6kV/3kA 1.2X50/8X20us WAVE-FORM)
 ENERGY THROUGHPUT RATING: < 150 nJ
 PROTECTION CIRCUIT: DC BLOCKED

2. ENVIRONMENTAL CHARACTERISTICS

STORAGE/OPERATING TEMPERATURE: -40C TO +85C
 WEATHERIZATION: IP65
 VIBRATION: MIL-STD 202, METHOD 204, CONDITION B
 RoHS COMPLIANT

3. MATERIAL AND FINISH

INNER CONNECTOR FEMALE: PHOSPHOR BRONZE, SILVER PLATE
 INNER CONNECTOR MALE: BRASS, SILVER PLATE
 BODY: ALUMINUM, WHITE BRONZE PLATE
 CONNECTOR HOUSING: BRASS, WHITE BRONZE PLATE
 COUPLING NUT: BRASS, WHITE BRONZE PLATE
 INSULATOR: PTFE
 O-RING: SILICONE RUBBER

MATERIAL:	
	USED ON ASSY.

DRAWN	M. ELLIS	03/24/14
CHECKED	M. ELLIS	03/24/14
APPROVED	M. ELLIS	03/24/14

UNLESS OTHERWISE SPECIFIED		
ALL DIMENSIONS ARE IN INCHES		
MACHINED SURFACES FINISH 32 RMS MAX.		
REMOVE ALL BURRS .005 MAX. BREAK.		
MACHINE CORNERS .005 MAX. FILLET R.		
TOLERANCES ON DECIMALS	.XX ± .01	.XXX ± .005
ANGLES ± °	FRACTIONS ± .012	
DO NOT SCALE DRAWING		

TIMES MICROWAVE SYSTEMS			
TITLE: SURGE PROTECTOR N FEMALE TO N MALE 2000-6000 MHz			
DESIGN	LP-WBX-NMP	REV.	1 A
DATE	03/24/14	SCALE	2:1
SHEET 1 OF 1			