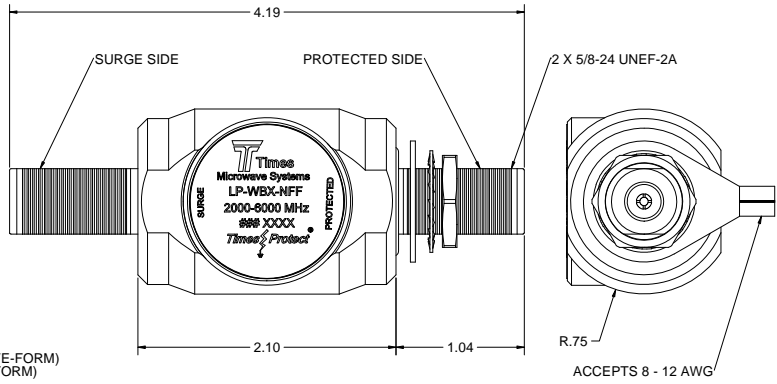
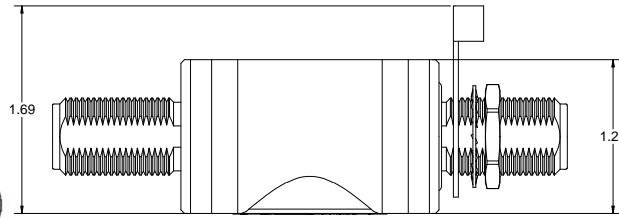
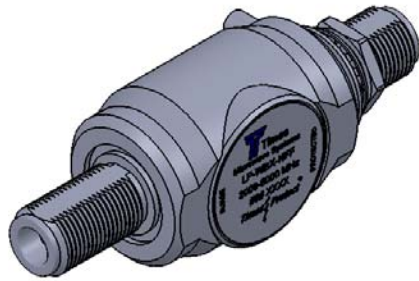


THIS DOCUMENT CONTAINS CONFIDENTIAL TECHNICAL DATA. IT IS THE PROPERTY OF TIMES MICROWAVE SYSTEMS. IT IS TO BE USED ONLY FOR THE PURPOSES AND IN ACCORDANCE WITH THE TERMS AND CONDITIONS OF THE LICENSE AGREEMENT. IT IS NOT TO BE REPRODUCED, COPIED, OR TRANSMITTED IN ANY FORM OR BY ANY MEANS, ELECTRONIC OR MECHANICAL, INCLUDING PHOTOCOPYING, RECORDING, OR BY ANY INFORMATION STORAGE AND RETRIEVAL SYSTEM, WITHOUT THE PRIOR WRITTEN CONSENT OF TIMES MICROWAVE SYSTEMS.

REV.	REVISION DESCRIPTION	QTRM.	DATE	APPD.	DATE
A	RELEASED FOR PRODUCTION	M.E.	03/24/14	M.E.	03/24/14



NOTES:

1. ELECTRICAL PERFORMANCE

IMPEDANCE: 50 OHMS  
 OPERATING FREQUENCY: 2000-6000 MHz  
 VSWR/RETURN LOSS: < 1.2:1 / < -20 dB  
 INSERTION LOSS: < 0.2 dB  
 AVERAGE POWER: 50 W  
 MAX SURGE CURRENT: 20 kA MAX / 10 kA MULTIPLE (8X20 us WAVE-FORM)  
 RESIDUAL PULSE VOLTAGE: < 3 V (6kV/3kA 1.2X50/8X20us WAVE-FORM)  
 ENERGY THROUGHPUT RATING: < 150 nJ  
 PROTECTION CIRCUIT: DC BLOCKED

2. ENVIRONMENTAL CHARACTERISTICS

STORAGE/OPERATING TEMPERATURE: -40C TO +85C  
 WEATHERIZATION: IP65  
 VIBRATION: MIL-STD 202, METHOD 204, CONDITION B  
 RoHS COMPLIANT

3. MATERIAL AND FINISH

INNER CONNECTOR FEMALE: PHOSPHOR BRONZE, SILVER PLATE  
 BODY: ALUMINUM, WHITE BRONZE PLATE  
 CONNECTOR HOUSING: BRASS, WHITE BRONZE PLATE  
 COUPLING NUT: BRASS, WHITE BRONZE PLATE  
 INSULATOR: PTFE  
 O-RING: SILICONE RUBBER

MATERIAL:

USED ON ASSY.

DRAWN	M. ELLIS	03/24/14
CHECKED	M. ELLIS	03/24/14
APPROVED	M. ELLIS	03/24/14

UNLESS OTHERWISE SPECIFIED  
 ALL DIMENSIONS ARE IN INCHES  
 MACHINED SURFACES FINISH 32 RMS MAX.  
 REMOVE ALL BURRS .005 MAX. BREAK  
 MACHINE CORNERS .005 MAX. FILLET R.  
 TOLERANCES ON DECIMALS  
 .XX ± .01 .XXX ± .005  
 ANGLES ± ° FRACTIONS ± .02

DO NOT SCALE DRAWING

TIMES MICROWAVE SYSTEMS

TITLE:  
 SURGE PROTECTOR  
 N FEMALE TO N FEMALE  
 2000-6000 MHz

DESIGN	LP-WBX-NFF	REV.	A
DATE	03/24/14	SCALE	2:1
		SHEET 1 OF 1	