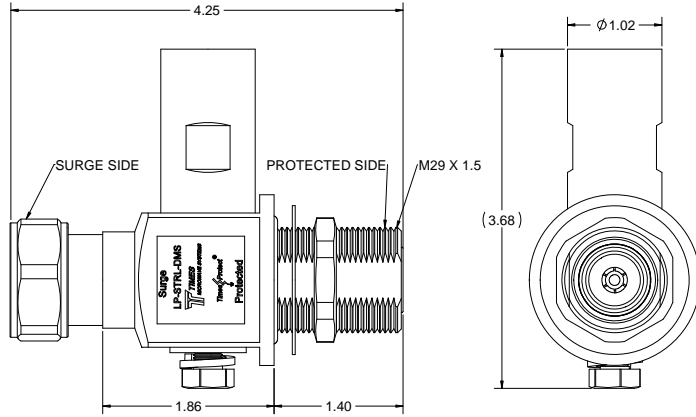
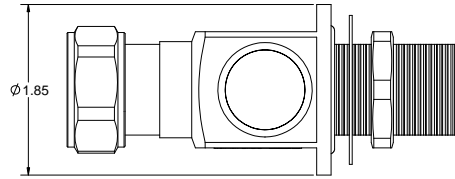
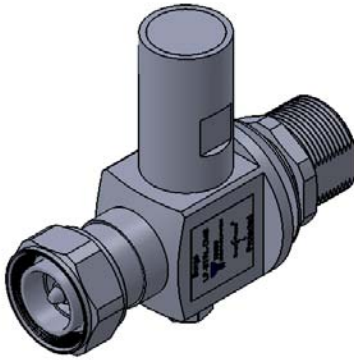


THIS DOCUMENT CONTAINS CONFIDENTIAL TECHNICAL DATA. IT IS THE PROPERTY OF TIMES MICROWAVE SYSTEMS, INC. AND IS NOT TO BE REPRODUCED OR TRANSMITTED IN ANY FORM OR BY ANY MEANS, ELECTRONIC OR MECHANICAL, INCLUDING PHOTOCOPYING, RECORDING, OR BY ANY INFORMATION STORAGE AND RETRIEVAL SYSTEM, WITHOUT THE WRITTEN PERMISSION OF TIMES MICROWAVE SYSTEMS, INC.

REV.	REASON DESCRIPTION	QTRM	DATE	APPD.	DATE
A	RELEASED FOR PRODUCTION	M.E.	03/24/14	M.E.	03/24/14



NOTES:

1. ELECTRICAL PERFORMANCE

IMPEDANCE: 50 OHMS
 OPERATING FREQUENCY: 680-2200 MHz
 VSWR/RETURN LOSS: < 1.13:1 / < -24 dB (680-700 MHz)
 < 1.1:1 / < -26 dB (700-2200 MHz)
 INSERTION LOSS: < 0.1 dB
 AVERAGE POWER: 700 W
 PIM: < -160 dBc
 MAX SURGE CURRENT: 50 kA (8/20 us WAVE-FORM)
 RESIDUAL PULSE VOLTAGE: < 100 V (50kA 8/20 us WAVE-FORM)
 RESIDUAL PULSE VOLTAGE: < 1 V (4kV/2kA 1.2X50/8X20 us WAVE-FORM)
 ENERGY THROUGHPUT RATING: < 1 nJ (4kV/2kA 1.2X50/8X20 us WAVE-FORM)
 PROTECTION CIRCUIT: DC BLOCKED

2. ENVIRONMENTAL CHARACTERISTICS

STORAGE/OPERATING TEMPERATURE: -40C TO +85C
 WEATHERIZATION: IP67
 VIBRATION: MIL-STD 202, METHOD 204, CONDITION B
 WEIGHT: 1.32 lb / 0.6 kg
 RoHS COMPLIANT

3. MATERIAL AND FINISH

INNER CONNECTOR MALE: BRASS, SILVER PLATE
 INNER CONNECTOR FEMALE: PHOSPHOR BRONZE, SILVER PLATE
 BODY: BRASS, WHITE BRONZE PLATE
 COUPLING NUT: BRASS, WHITE BRONZE PLATE
 INSULATOR: PTFE
 O-RING: SILICONE RUBBER

MATERIAL:

USED ON ASSY.

DRAFTSMAN	M. ELLIS	03/24/14
CHECKER	M. ELLIS	03/24/14
APPROVED	M. ELLIS	03/24/14

UNLESS OTHERWISE SPECIFIED		
ALL DIMENSIONS ARE IN INCHES		
MACHINED SURFACES FINISH 32 RMS MAX.		
REMOVE ALL BURRS .005 MAX. BREAK		
MACHINE CORNERS .005 MAX. FILLET R.		
TOLERANCES ON DECIMALS	XX ± .01	XXX ± .005
ANGLES ± °	FRACTIONS ±	1/32
DO NOT SCALE DRAWING		

TIMES MICROWAVE SYSTEMS

TITLE: SURGE PROTECTOR
DIN MALE TO DIN FEMALE
680-2200 MHz

DESIGN	LP-STRL-DMS	REV.	A
DATE	03/24/14	SCALE	1.5:1
SHEET 1 OF 1			