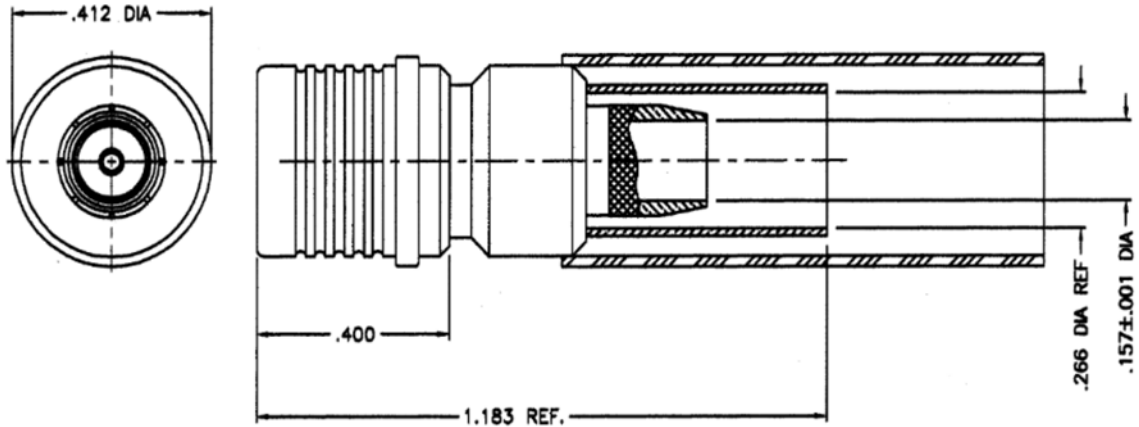


THE REVISION STATUS OF ALL SHEETS OF THIS DRAWING IS THE SAME AS SHEET 1

LTR	DESCRIPTION	DATE	BY
-	Released	8/15/03	JCL
A	Revised Title (jack to plug); deleted gasket	10/24/06	JCL



I. MATERIALS & FINISHES

- center contact: Gold Plated Beryllium Copper
- outer contact: Nickel Plated Brass
- body: Nickel Plated Brass
- crimp sleeve: Nickel Plated Copper
- dielectric: Teflon® PTFE
- shrink sleeve: Adhesive Lined Polyolefin
- attachment: braid crimp

II. ELECTRICAL PROPERTIES

- impedance: 50 ohms
- working voltage: 375 vrms (max)
- vswr: 1.25:1 (max) up to 2.5 GHz
- insertion loss: 0.10 x √Fghz

Unless otherwise specified, dimensions are in inches. Tolerances are applicable when specified.

These drawings and specifications contain proprietary information which is the property of Times Microwave Systems.

Approvals		
Drawn	JCL	8/15/03

TIMES MICROWAVE SYSTEMS
 Wallingford, CT 06492
 (203) 949-8400; (203) 949-8423.Fax
 www.timesmicrowave.com

EZ-240-QM
 Type-QMA male (plug)
 for LMR-240 Cable

Size A	CAGE CODE 68999	Drawing No.: 3190-1533
Scale: NA	Rev. (A)	Sheet: 1 of 1