

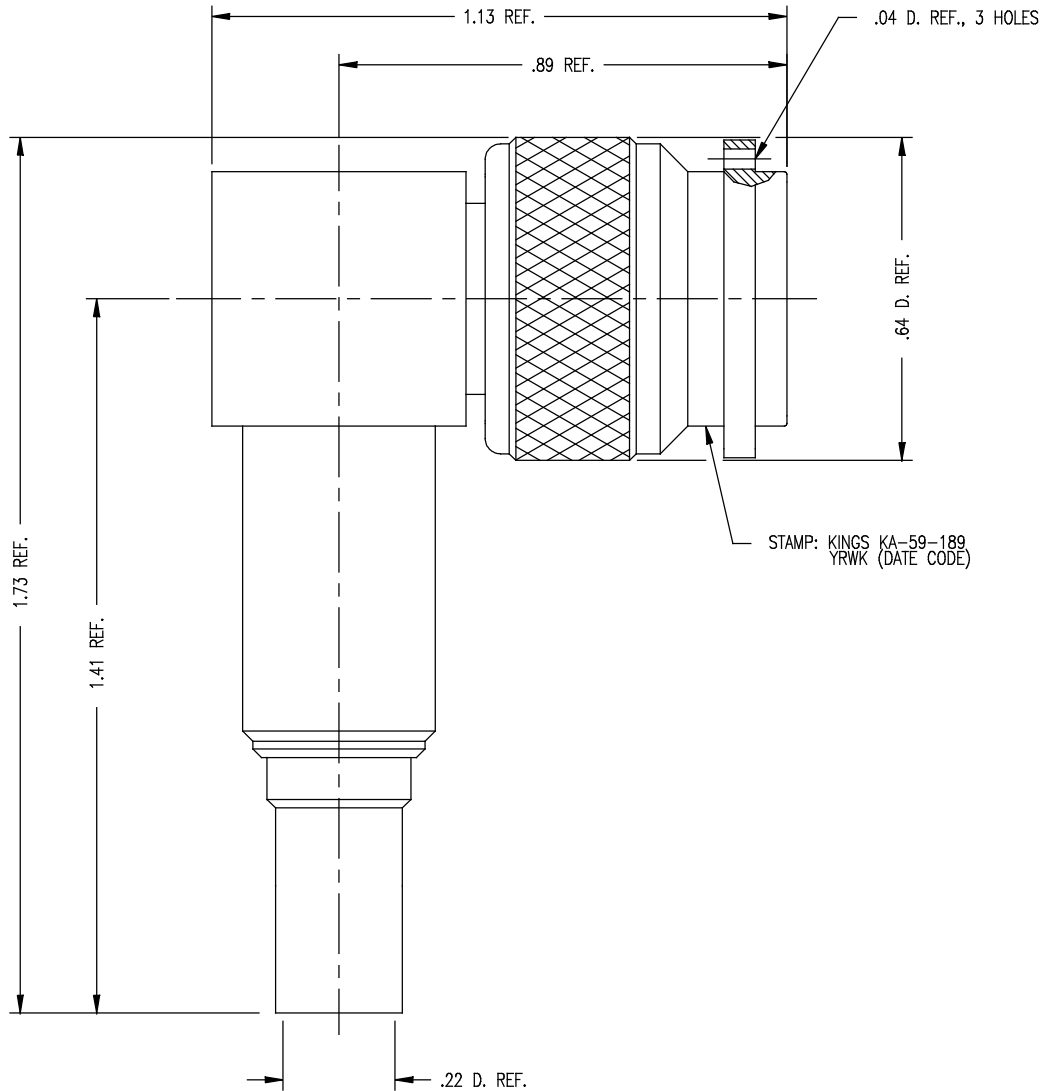
DASH NO.	M CODE	MADE FROM
----------	--------	-----------

GSD

KA-59-189

REVISIONS	
ISSUE	CHANGES

7	CN 34481 C REDRAWN JCA 05/27/93
8	CN 38243 C BDH 03/09/01



NOTES:

- FOR USE WITH BA-13077A, 14349 & MI-5406 CABLE.
- FOR CABLE TRIMMING USE KTJ-149 & KTD-166.
- FOR CRIMPING USE DIE SIZE KTH-2161.
- FOR CABLING INSTRUCTIONS SEE CP-5401.
- INTERFACE PER MIL-STD-348, FIG. 313-1.
- MATERIALS:
 INSULATORS: TEFLON, ASTM-D-1457
 GASKET: SILICONE RUBBER, ZZ-R-765
 C-RING: PHOSPHOR BRONZE, QQ-B-750
 K-GRIP SLEEVE: COM. BRONZE, ALLOY 220
 OUTER CONTACT } BER. COPPER, ASTM-B-196
 CENTER CONTACT F }
 ALL OTHER METAL PARTS: BRASS, ASTM-B16
- FINISHES:
 CENTER CONTACTS: HARD GOLD PLATE, PER MIL-G-45204
 ALL OTHER METAL PARTS: KINGS TARNISH RESISTANT FINISH (TR-5)
- ELECTRICAL CHARACTERISTICS:
 NOMINAL IMPEDANCE: 50 OHMS
 WORKING VOLTAGE: 500 VRMS
 FREQUENCY RANGE: DC TO 11 GHz

JCA3914

SCALE 4:1

APPROX SURFACE AREA

USED ON

REF:

PLUG, ANGLE, TNC

DRAWN JCA DATE 05/27/93

DESIGN MJB DATE 07/28/93

APPR. DATE

KINGS
ELECTRONICS CO., INC.
ROCK HILL, SOUTH CAROLINA 29730

GSD

KA-59-189