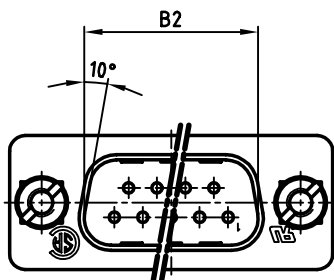
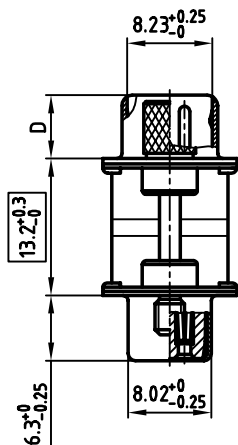
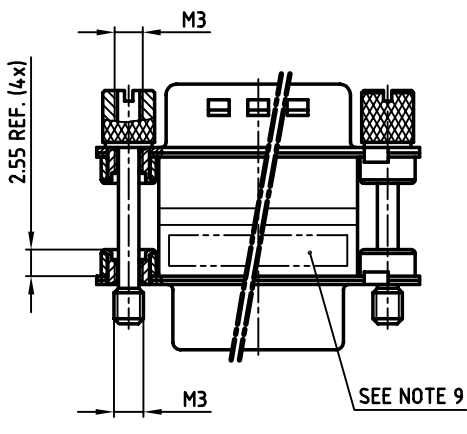
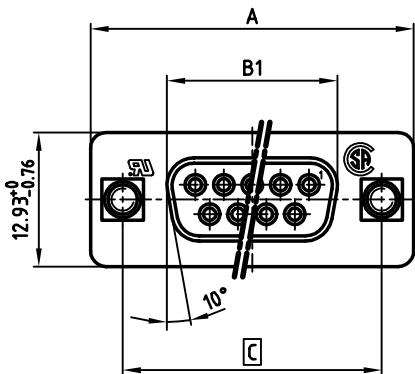


used for: FULL METAL π -FILTER

POS.	PART NO. SOCKET CONNECTOR / PLUG CONNECTOR M3			
	2 x 180pF±20%	2 x 370pF±20%	2 x 830pF±20%	2 x 1300pF±20%
9	MAP1XAAAR01R361X	MAP1XAAAR01R741X	MAP1XAAAR01R162X	MAP1XAAAR01R262X
15	MAP2XAAAR01R361X	MAP2XAAAR01R741X	MAP2XAAAR01R162X	MAP2XAAAR01R262X
25	MAP3XAAAR01R361X	MAP3XAAAR01R741X	MAP3XAAAR01R162X	MAP3XAAAR01R262X
37	MAP4XAAAR01R361X	MAP4XAAAR01R741X	MAP4XAAAR01R162X	MAP4XAAAR01R262X

POS.	A ^{-0.76}	B1 ^{-0.25}	B2 ^{+0.25}	C	D ^{-0.3}
9	31.19	16.46	16.79	25.00 ^{+0.12} _{-0.13}	6.12
15	39.52	24.79	25.12	33.30 ^{+0.15} _{-0.1}	6.12
25	53.42	38.50	38.84	47.04 ^{+0.13}	5.99
37	69.70	54.96	55.30	63.50 ^{+0.13}	5.99



NOTES:

- METALSHELLS: STEEL; min. 320 μ " TIN
- INSULATORS: PBT GF UL 94 V-0, BLACK
- CONTACTS: COPPER ALLOY
PLATING: 8 μ " HARD GOLD OVER min. 50 μ " NICKEL
- THREADED INSERT: COPPER ALLOY; min. 200 μ " TIN over 80 μ " NICKEL
- COLLAR: COPPER ALLOY; min. 200 μ " TIN over 80 μ " NICKEL
- CAPACITANCE: SEE TABLE
- DIELECTRIC WITHSTANDING VOLTAGE: 300 VDC
- MAXIMUM TORQUE VALUE FOR THREAD: 6" LBS
- CONNECTOR IS PART MARKED: PART-NO. CONEC Y/WW
- = CRITICAL DIMENSION

APPROVAL * FREIGABE * DEBLOCAGE * AUTORIZACION

CUSTOMER APPROVAL DATE:

NAME: _____ TITLE: _____

COMPANY NAME: _____

APPROVAL * FREIGABE * DEBLOCAGE * AUTORIZACION

THIS DRAWING MAY NOT BE COPIED OR REPRODUCED IN ANY WAY, AND MAY NOT BE PASSED ON TO A THIRD PARTY, WITHOUT WRITTEN PERMISSION. OWNERSHIP AND COPYRIGHT OF CONEC GmbH DO NOT ALTER CAD DRAWING BY HAND

rev.	description	date	name

tolerance

scale: 2:1

material: SEE NOTES

title: FULL METAL π -FILTER ADAPTER
PLUG / SOCKET 9-37pos.
with jack screws - M3

dwg no: AutoCAD 2000 DIN-A
24K1A356 3
sh: 1/1

part no: SEE TABLE

