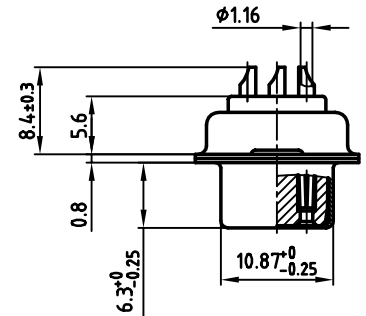
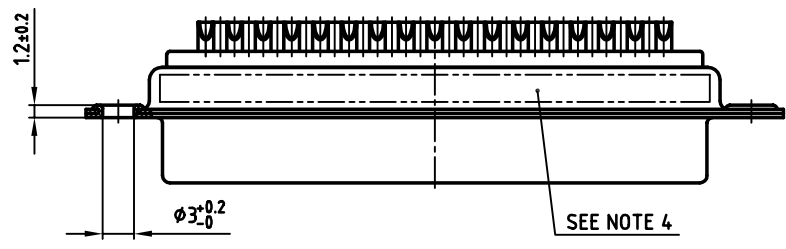
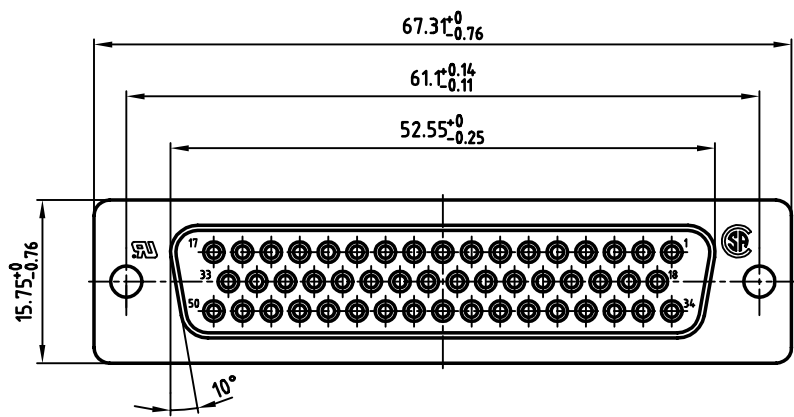


used for: D-SUB



**NOTES:**

- 1. METALSHELLS: STEEL; min. 320µ" TIN
- 2. INSULATORS: PBT GF UL 94 V-0, BLACK
- 3. CONTACTS: COPPER ALLOY  
PLATING: 8µ" HARD GOLD OVER min. 50µ" NICKEL  
SOLDER CUP ACCEPTS CABLE AWG 20
- 4. CONNECTOR IS PART MARKED: PART-NO. CONEC Y/WW

APPROVAL \* FREIGABE \* DEBLOCAGE \* AUTORIZACION \* APPROVAL

CUSTOMER APPROVAL DATE:

---

NAME: TITLE:

---

COMPANY NAME:

APPROVAL \* FREIGABE \* DEBLOCAGE \* AUTORIZACION \* APPROVAL

THIS DRAWING MAY NOT BE COPIED OR REPRODUCED IN ANY WAY, AND MAY NOT BE PASSED ON TO A THIRD PARTY, WITHOUT WRITTEN PERMISSION. OWNERSHIP AND COPYRIGHT OF CONEC GmbH DO NOT ALTER CAD DRAWING BY HAND

rev.	description	date	name

tolerance		dim. in mm
2003	date	
drawn	26.05.	name Lehnenkühler
appd.	26.05.	Kühle
norm	DIN 41652	
d-old		
<b>CONEC</b>		

scale: 2:1

material: SEE NOTES

title: **D-SUB FEMALE**  
50pos. SOLDER CUP  
with stamped contacts

dwg no: AutoCAD 2000 DIN-A  
16K1A957 3 sh:1/1

part no: 302A10079X