

# Product data sheet

## Miniature connectors

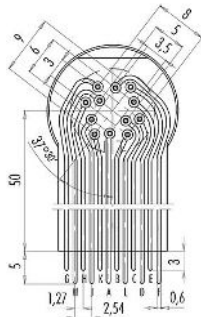


Product description	M16 Male panel mount connector, Contacts: 12 (12-a), unshielded, THT, IP67, front fastened
Area	M16 IP67 series 723
Part no.	09 0131 65 12

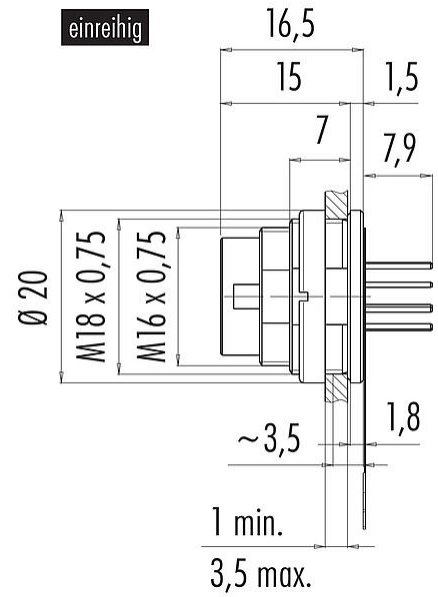
### Illustration



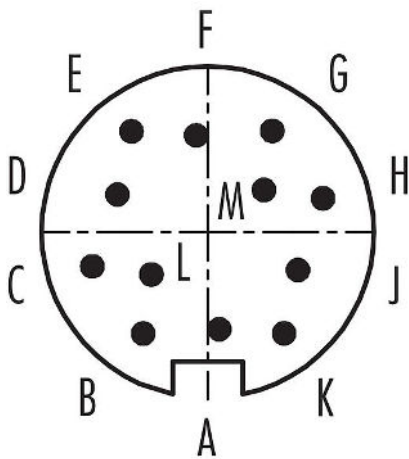
### Flexplatte



### Scale drawing



### Contact arrangement (Plug-in side)



You can find the assembly instructions on the next page.

### Technical data

# Product data sheet

## Miniature connectors



Product description	<b>M16 Male panel mount connector, Contacts: 12 (12-a), unshielded, THT, IP67, front fastened</b>
-	-
Area	<b>M16 IP67 series 723</b>
Part no.	<b>09 0131 65 12</b>

### General features

Part no.	<b>09 0131 65 12</b>
Connector design	Male panel mount connector
Type standard	DIN EN 61076-2-106
Version	Connector pin straight
Connector locking system	screw
Termination	THT
Degree of protection	IP67
Temperature range from/to	-40 °C / 95 °C
Mechanical operation	> 500 Mating cycles
Weight (g)	15.84
Customs tariff number	85369010
Country of Origin	DE

### Electrical parameters

Rated voltage	60 V
Rated impulse voltage	500 V
Rated current	3,0 A
Insulation resistance	$\geq 10^{10} \Omega$
Pollution degree	1
Overvoltage category	I
Insulating material group	III
EMC compliance	unshielded

### Material

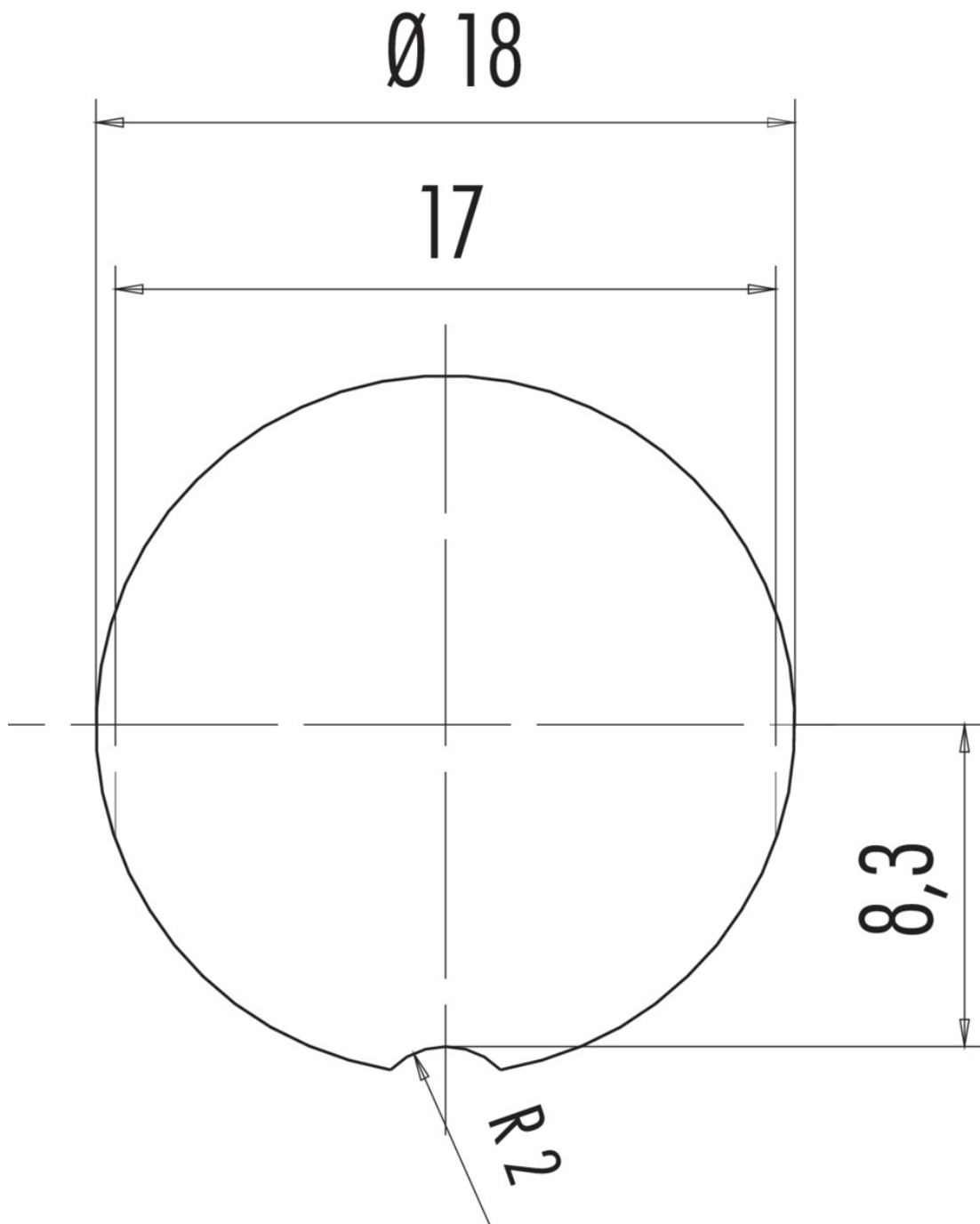
Housing material	Zinc die-cast nickel-plated
Contact body material	PBT (UL94 V-0)
Contact material	CuZn (brass)
Contact plating	Au (gold)
REACH SVHC	CAS 7439-92-1 (Lead)
SCIP number	2a64daa3-6f8f-447e-9e3d-39fb159d8aaa

### Classifications

eCl@ss 11.1	27-44-01-09
ETIM 9.0	EC003569

Product description	M16 Male panel mount connector, Contacts: 12 (12-a), unshielded, THT, IP67, front fastened
Area	M16 IP67 series 723
Part no.	09 0131 65 12

Assembly instructions / Panel cut-out



# Product data sheet

## Miniature connectors



Product description	<b>M16 Male panel mount connector, Contacts: 12 (12-a), unshielded, THT, IP67, front fastened</b>
-	-
Area	<b>M16 IP67 series 723</b>
Part no.	<b>09 0131 65 12</b>

### General Disclaim Notice

The connectors have been developed for applications in plant engineering, control and electrical equipment construction. The user is responsible for checking whether the connectors can also be used in other areas of application.

Plug connectors with enclosure protection IP67 and IP68 are not suitable for use under water. When used outdoors, the plug connectors must be protected separately against corrosion. For further information on the IP protection classes, please refer to the "Technical Information" download centre.