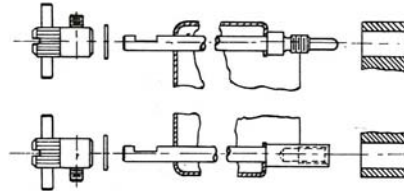
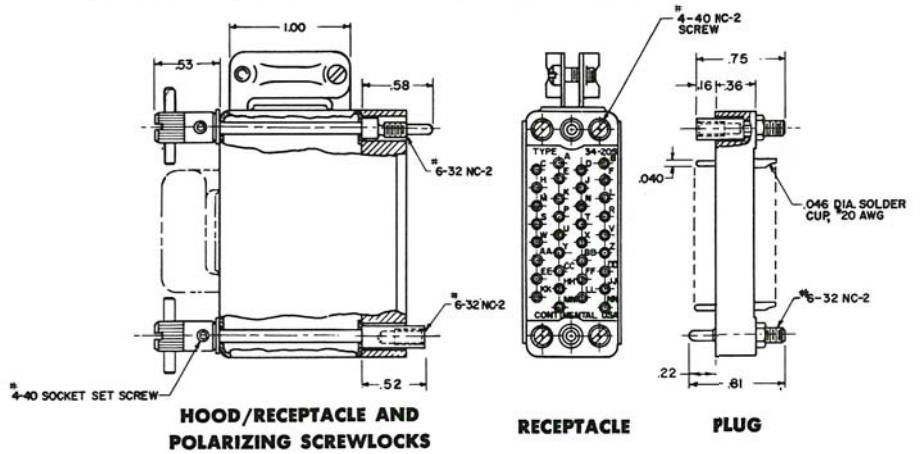


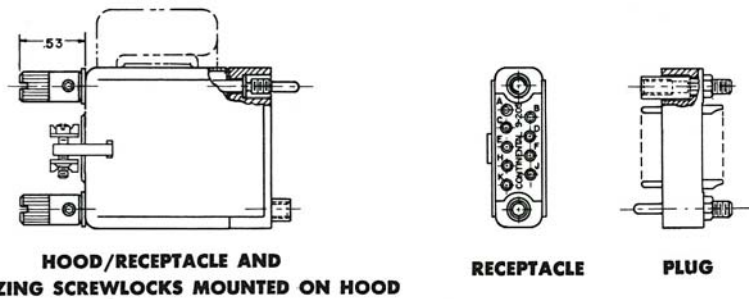
# SERIES 20 hood and screwlock assembly

**FIG. A — HOOD AND SCREWLOCK SEPARATE UNIT**

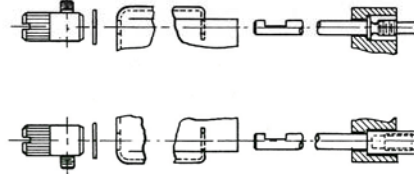


**HOOD IS SEPARATE UNIT  
ASSEMBLED TO CONNECTOR  
WITH #4 - 40 SCREWS SUPPLIED**

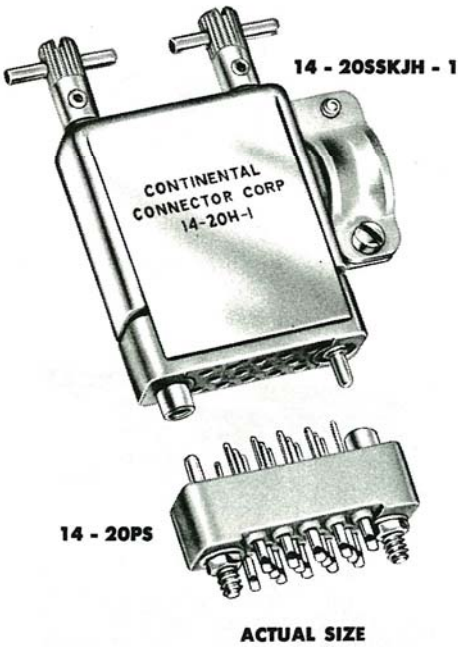
**FIG. B — HOOD AND SCREWLOCK INTEGRAL WITH CONNECTOR**



**KNOB MUST BE REMOVED FOR WIRING**

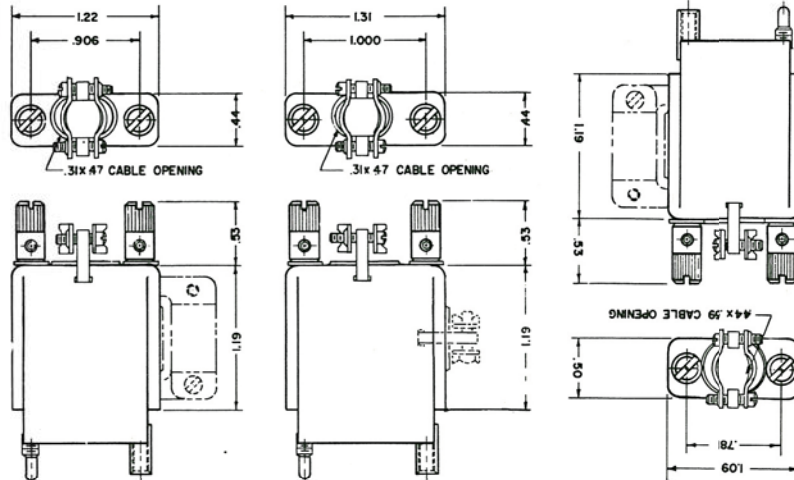


**CROSS-SECTION OF SCREWLOCK ASSEMBLY DETAIL MOUNTED AS ONE UNIT**



When ordering complete connector, add hood and knob symbol designations to part required. For example, 7-20PSKJH-1 is a seven-contact plug with side cable opening hood, screwlocks and "J" type knobs shown on page 23. Add "S" to connector type number for socket panel mounting (7-20SS, socket with screwlock chassis mounted).

**SCREWLOCKS ALSO AVAILABLE WITH KNOB TYPES SHOWN ON PAGE 23**



**FIG. B  
7 - 20KJH  
7 - 20KJH - 1**

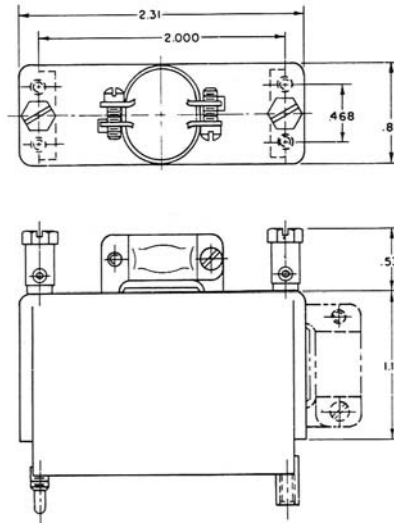
**FIG. B  
9 - 20KJH  
9 - 20KJH - 1**

**FIG. B  
11 - 20KJH  
11 - 20KJH - 1**

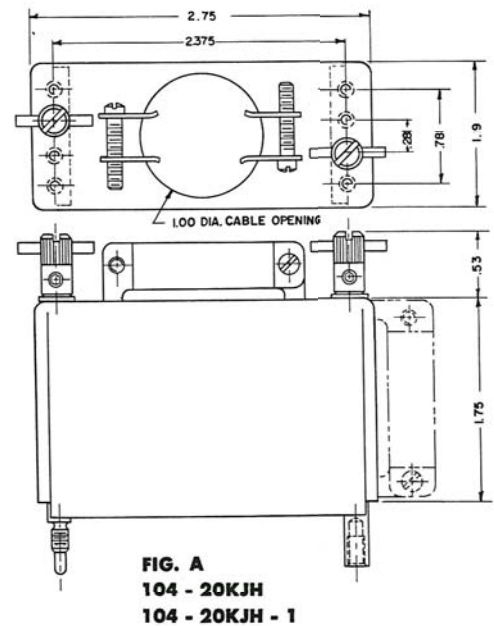
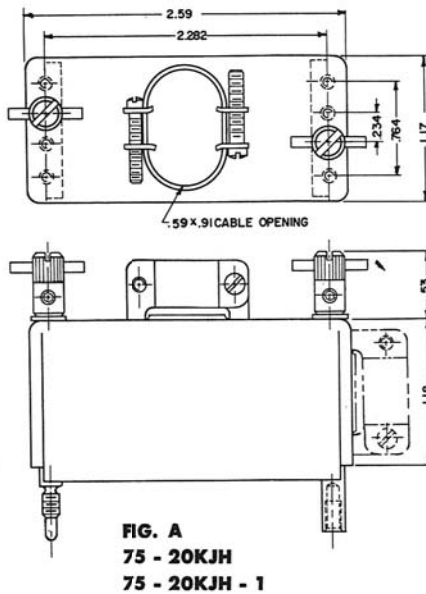
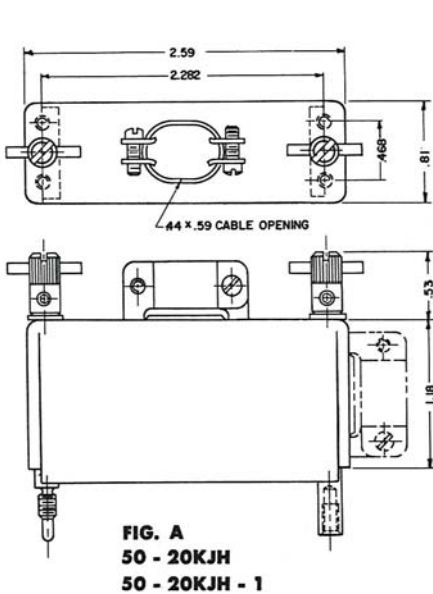
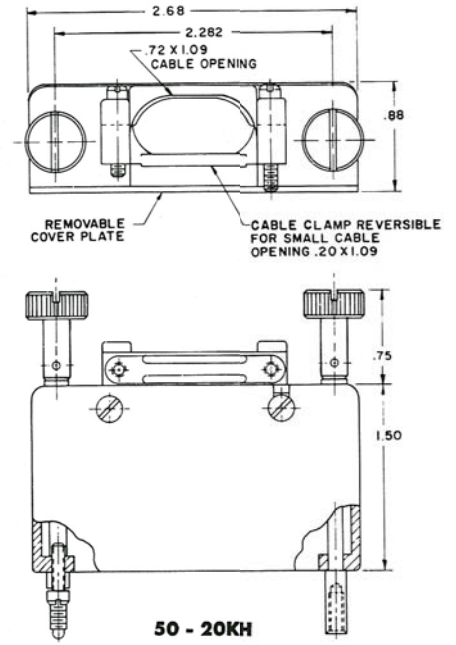
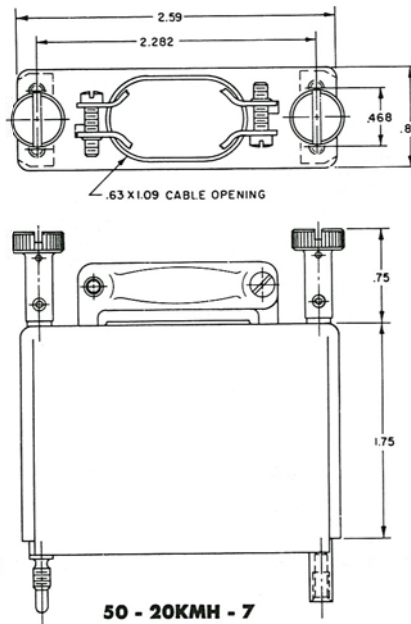
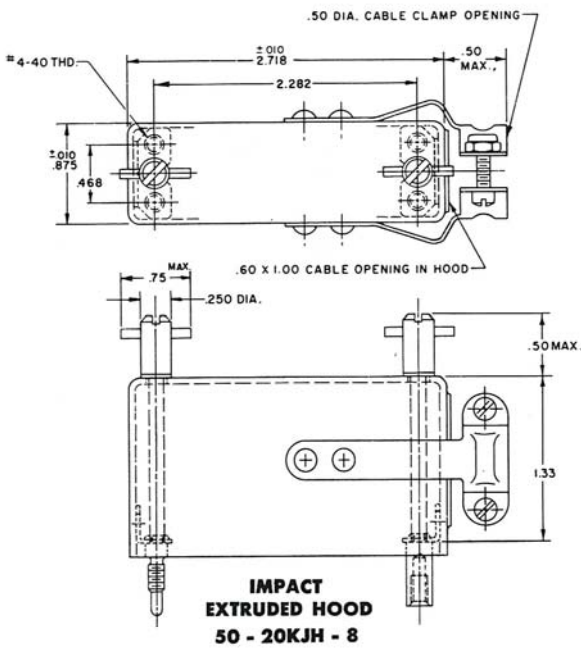


# SERIES 20 hood and screwlock assembly

FIGURES A AND B SHOWN ON PAGE 20

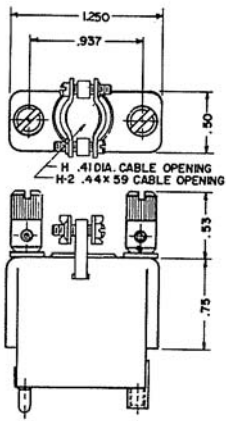


**42 - 20KH (TOP CABLE OPENING .58 x .75)**  
**42 - 20KH - 1 (SIDE CABLE OPENING .44 x .59)**

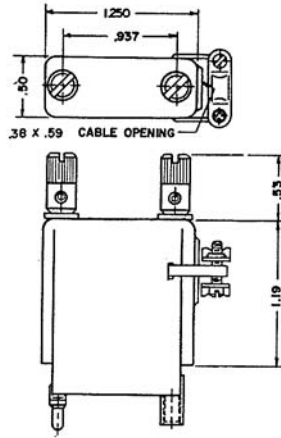




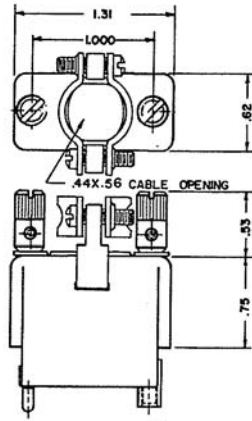
# SERIES 20 hood and screwlock assembly



**FIG. B**  
**14 - 20KJH**  
**14 - 20KJH - 2**

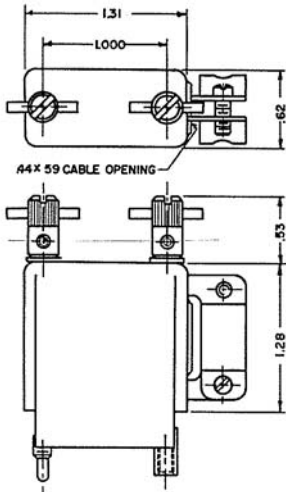


**FIG. B**  
**14 - 20KJH - 1**

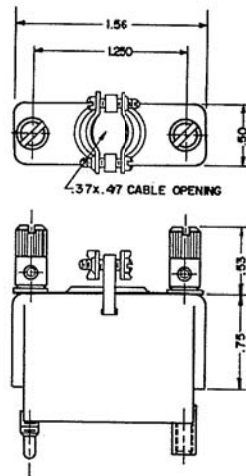


**FIG. B**  
**18 - 20KJH**

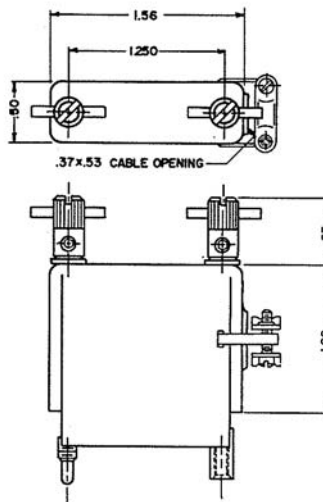
FIGURES A AND B SHOWN ON PAGE 20



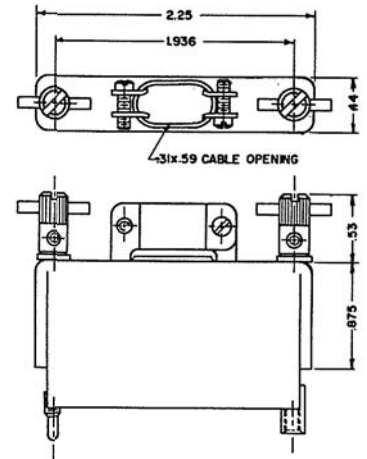
**FIG. B**  
**18 - 20KJH - 1**



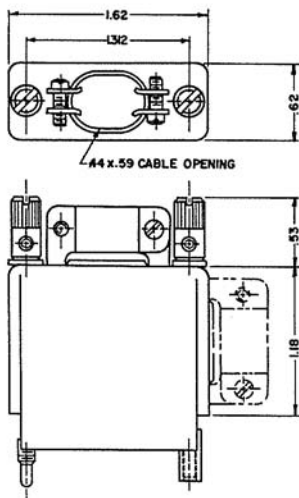
**FIG. B**  
**20 - 20KJH**



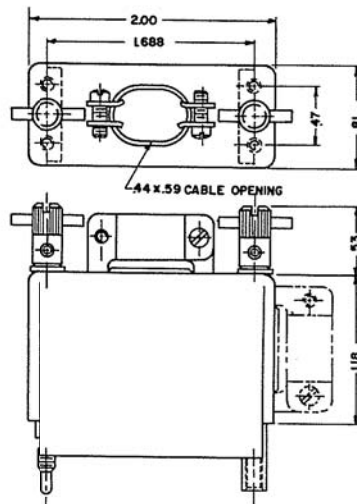
**FIG. B**  
**20 - 20KJH - 1**



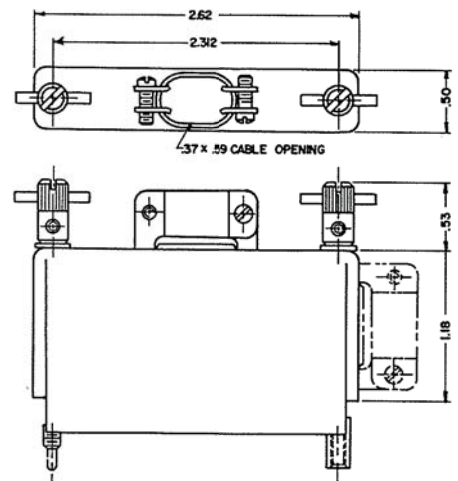
**FIG. B**  
**21 - 20KJH**



**FIG. B**  
**26 - 20KJH**  
**26 - 20KJH - 1**



**FIG. A**  
**34 - 20KJH**  
**34 - 20KJH - 1**



**FIG. B**  
**41 - 20KJH**  
**41 - 20KJH - 1**