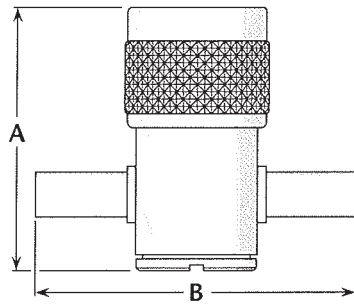
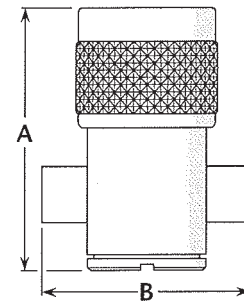


## Tee Plug—For Flexible and Semi-Rigid Cable

**Figure 1**  
(Crimp type for flexible cable)

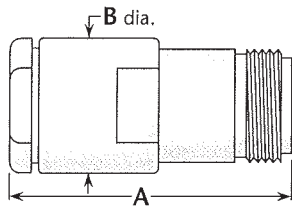


**Figure 2**  
(Direct solder for semi-rigid cable)

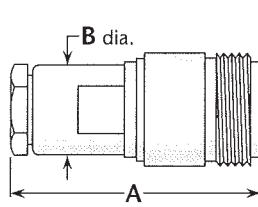


| Cable Group | Figure | Dimensions |      | Plating |            | Delta P/N       | Assembly Procedure/Trim Code |
|-------------|--------|------------|------|---------|------------|-----------------|------------------------------|
|             |        | A          | B    | Body    | Contact    |                 |                              |
| 2           | 1      | 1.39       | 2.00 | Silver  | Silver (C) | 1185-002-A000   | B/16                         |
| 3           | 1      | 1.39       | 2.00 | Silver  | Silver (C) | 1185-004-A000-2 | B/16                         |
| 6           | 1      | 1.39       | 1.82 | Silver  | Silver (C) | 1185-013-A001   | B/17                         |
| 7           | 1      | 1.39       | 1.82 | Silver  | Silver (C) | 1185-019-A000   | B/17                         |
| 9           | 1      | 1.39       | 1.82 | Silver  | Silver (C) | 1185-036-A000   | B/17                         |
| 13          | 2      | 1.39       | .90  | Silver  | Silver (C) | 1185-031-A000   | ***                          |

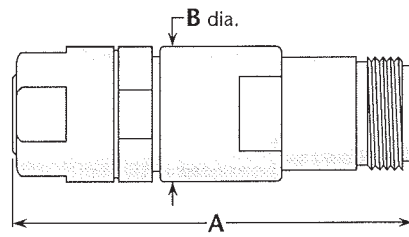
## Straight Jack—Military Clamp for Flexible Cable



**Figure 1**



**Figure 2**



**Figure 3**  
(Includes armor clamp)

| Cable Group | Figure | Dimensions |     | Plating |            | Delta P/N        | Assembly Procedure/Trim Code |
|-------------|--------|------------|-----|---------|------------|------------------|------------------------------|
|             |        | A          | B   | Body    | Contact    |                  |                              |
| 1           | 1      | 1.56       | .75 | Nickel  | Silver     | UG-20E/U         | A/01                         |
| 1           | 1      | 1.67       | .75 | Silver  | Gold (C)   | M39012/02-0101   | A/01                         |
| 2, 3        | 1      | 1.56       | .75 | Nickel  | Silver     | UG-23D/U         | A/01                         |
| 2, 3        | 1      | 1.56       | .75 | Nickel  | Gold       | UG-23F/U         | A/01                         |
| 2, 3        | 1      | 1.56       | .75 | Nickel  | Silver (C) | UG-1186/U        | A/01                         |
| 2, 3        | 1      | 1.56       | .75 | Nickel  | Silver (C) | UG-1186A/U       | A/01                         |
| 2, 3        | 1      | 1.67       | .75 | Silver  | Gold (C)   | M39012/02-0003   | A/01                         |
| 5, 6        | 2      | 1.41       | .50 | Nickel  | Silver     | 1108-015-N000    | A/05                         |
| 5, 6        | 2      | 1.47       | .50 | Nickel  | Silver (C) | 1108-015-N001    | A/02                         |
| 7           | 2      | 1.41       | .50 | Nickel  | Silver     | UG-602A/U        | A/02                         |
| 7           | 2      | 1.27       | .50 | Nickel  | Silver     | 1108-000-N000-3* | —                            |
| 7           | 2      | 1.47       | .50 | Nickel  | Silver (C) | 1108-021-N001    | A/02                         |
| 15          | 3      | 2.25       | .75 | Nickel  | Silver     | UG-940B/U        | D/03                         |
| 19          | 1      | 1.56       | .75 | Nickel  | Gold (C)   | 1108-027-N001    | A/12                         |
| 22          | 1      | 1.87       | .69 | Nickel  | Gold       | 1108-123-N000    | C/03                         |

\*UG-602A/U less clamping hardware.

See page 204 for cable groups. • Assembly procedures start on page 205. • \*\*\*Contact factory for cable assembly instructions.  
(C) in contact plating column indicates captive contact. • See page 6 for alternate body plating information.