

Right Angle Plug—Military Clamp for Flexible Cable

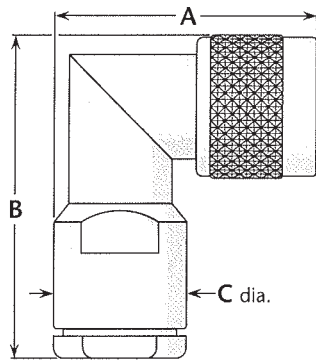


Figure 1
(Mitered body)

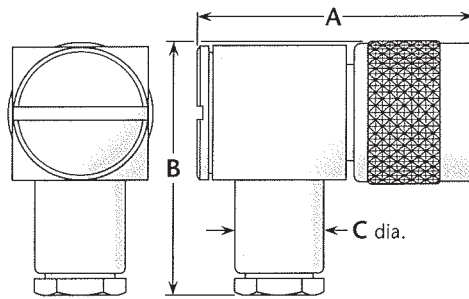


Figure 2
(Cube body with access cap)

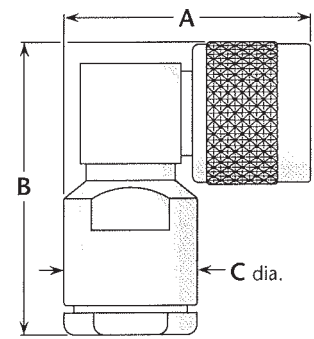


Figure 3
(Cube body)

Cable Group	Figure	Dimensions			Plating		Delta P/N	Assembly Procedure/ Trim Code
		A	B	C	Body	Contact		
2, 3	1	1.47	1.88	.75	Nickel	Silver (C)	UG-594B/U	A/01
2, 3	3	1.36	1.66	.75	Silver	Gold (C)	M39012/05-0101	A/07
2, 3	3	1.39	1.66	.75	Nickel	Gold	1105-004-N000	A/04
5	3	1.39	2.00	.75	Nickel	Gold (C)	1104-032-N001	A/08
5, 6	2	1.55	1.28	.50	Nickel	Silver (C)	1105-015-N000	A/11
5, 6	3	1.35	1.55	.56	Nickel	Silver (C)	1105-015-N001	A/09
7	2	1.55	1.28	.50	Nickel	Silver (C)	1105-021-N000	A/11
9	2	1.55	1.28	.50	Nickel	Silver (C)	1105-036-N001	A/11
19	3	1.36	1.66	.75	Nickel	Silver (C)	1104-027-N001	A/07

Right Angle Plug—Crimp Type for Flexible Cable

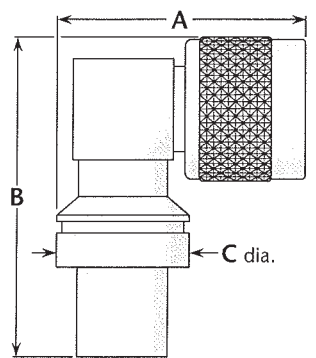


Figure 1
(Cube body)

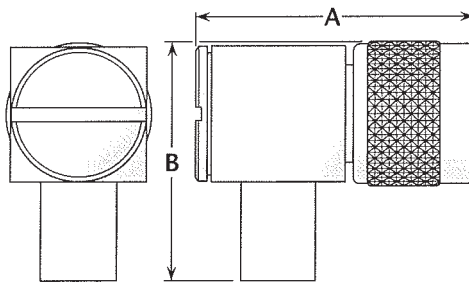


Figure 2
(Cube body with access cap)

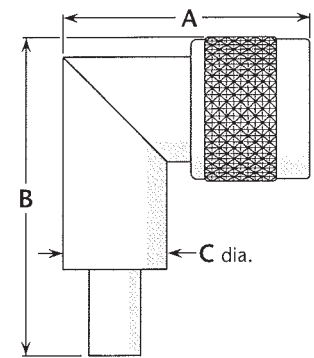


Figure 3
(Mitered body)

Cable Group	Figure	Dimensions			Plating		Delta P/N	Assembly Procedure/ Trim Code
		A	B	C	Body	Contact		
2	1	1.39	1.77	.75	Nickel	Silver	1107-002-N000	B/07
2	2	1.39	1.25	—	Nickel	Silver (C)	1107-002-N000-1	B/09
3	1	1.39	1.77	.75	Nickel	Silver	1107-005-N000	B/07
2	3	1.41	2.30	.687	Nickel	Gold (C)	1107-002-N001-2	B/30
3	3	1.41	2.30	.687	Nickel	Gold (C)	1107-004-N001-2	B/30
6	3	1.41	2.25	.687	Nickel	Gold (C)	1107-034-N001-1	B/08

See page 204 for cable groups. • Assembly procedures start on page 205.
(C) in contact plating column indicates captive contact. • See page 6 for alternate body plating information.