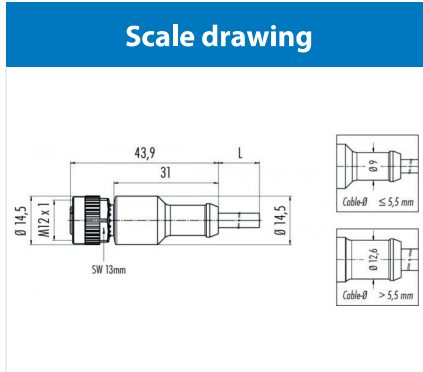


Product description	Contacts: 5, cable length 2 m, cable: 5 x 0.25mm², PVC, female cable connector, overmoulded
Area	M12-A Series 763
Order number	77 3430 0000 20005-0200



Contact arrangement

	X	Y
1	-2,50	0,00
2	0,00	2,50
3	2,50	0,00
4	0,00	-2,50
5	0,00	0,00

- 1 braun/brown
- 2 weiß/white
- 3 blau/blue
- 4 schwarz/black
- 5 grau/grey

Geschirmte Versionen: Schirm auf Gehäuse
Shielded versions: shield on housing

Technical data

General values

Connector design	female cable connector
Connector locking system	bolted
Termination	moulded on cable
Wire gauge (mm)	0.34 mm ²
Wire gauge (AWG)	22
Upper limit temperature	90 °C
Lower limit temperature	-25 °C

Cable data

Sheath material	PVC
Single-lead insulation	PVC
Single-lead structure	42 x 0,1
Cable diameter	5.2
Conductor resistance	57 Ω/Km
Temperature range, moving cable, °C from	-5
Temperature range, moving cable, °C to	105
Temperature range, fixed cable, °C from	-40
Temperature range, fixed cable, °C to	105
Bending radius, fixed cable	min. 5 x D
Bending radius, moving cable	min. 10 x D
Approval 1	UL listed

Electrical values

Rated current (40 °C)	4 A
Rated voltage	60 V
Rated impulse voltage	1500 V
Pollution degree	3
Overvoltage category	II
Insulating material group	II
Volume resistivity	≤ 3 mΩ
Insulation resistance	≥ 10 ¹⁰ Ω
EMC compliance	not shielded
Degree of protection	IP69K
Mechanical operation	> 100 Mating cycles

Material

Contact material	CuSn (bronze)
Contact plating	Au (gold)
Contact body material	PUR
Housing material	PUR

Product description	Contacts: 5, cable length 2 m, cable: 5 x 0.25mm², PVC, female cable connector, overmoulded
Area	M12-A Series 763
Order number	77 3430 0000 20005-0200

Security notices

The connectors are designed for use in plant, control system and electrical equipment. The end user is responsible for checking whether the connectors are suitable for use in other applications.

Connectors with degree of protection IP 67 and IP 68 are not suitable for use under water. When used outdoors, the connectors must be separately protected against corrosion. For further information about IP degrees of protection refer to 'Technical support' in the Download Centre.

To lock the cable connector to the equipment connector, the threaded ring is tightened until it is 'finger-tight' (approx. 50 cNm).