

Right Angle and Tee Adapters

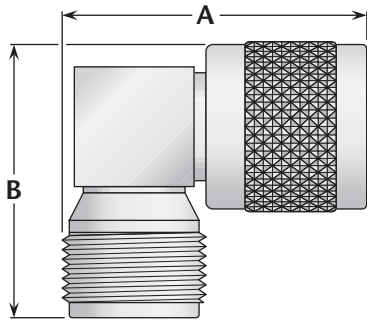


Figure 1
(Right angle jack-plug; connects one plug and one jack)

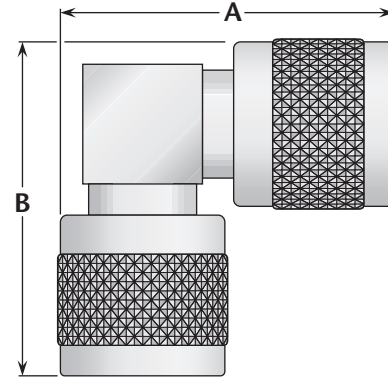


Figure 2
(Right angle plug-plug; connects two jacks)

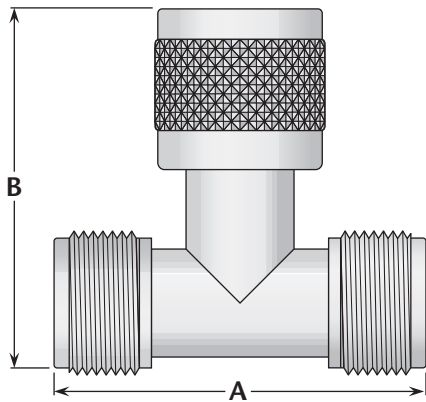


Figure 3
(Tee jack-plug-jack; connects two plugs and one jack)

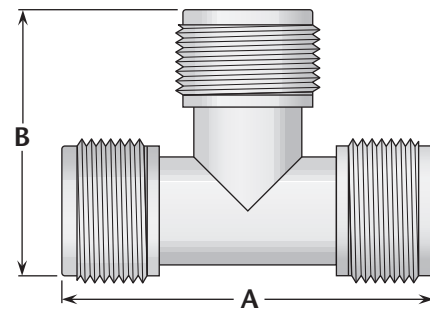


Figure 4
(Tee jack-jack-jack; connects three plugs)

Figure 5
(Tee plug-jack-plug; connects two jacks and one plug)

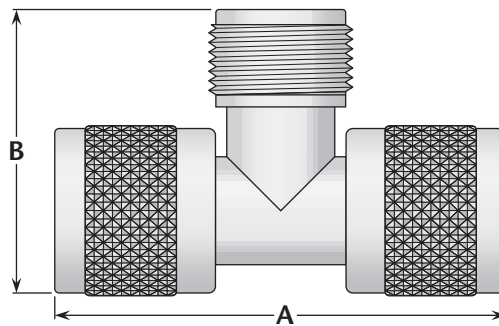


Figure	Dimensions		Plating		Delta P/N
	A	B	Body	Contact	
1	1.50	1.38	Nickel	Silver (C)	UG-212C/U
2	1.63	1.63	Nickel	Silver (C)	1637-000-N000
3	1.94	1.88	Nickel	Silver (C)	1630-000-N000
4	1.94	1.28	Nickel	Silver (C)	1638-000-N000
5	2.33	1.50	Nickel	Silver (C)	UG-1109/U

(C) in contact plating column indicates captive contact. • See page 6 for alternate body plating information.